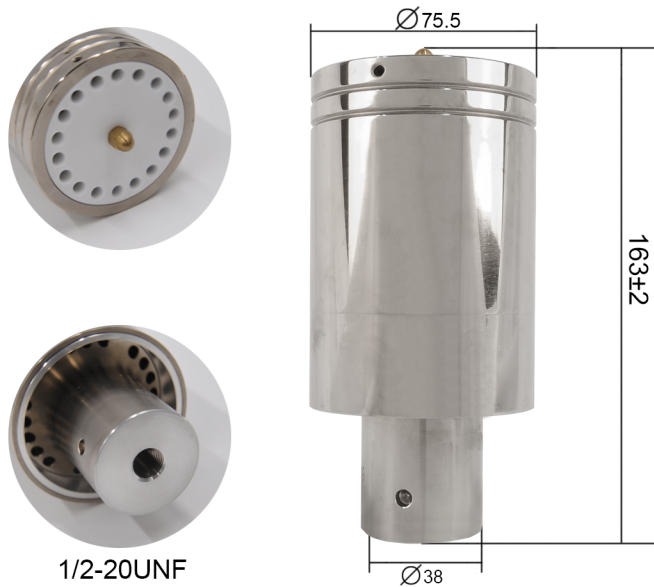


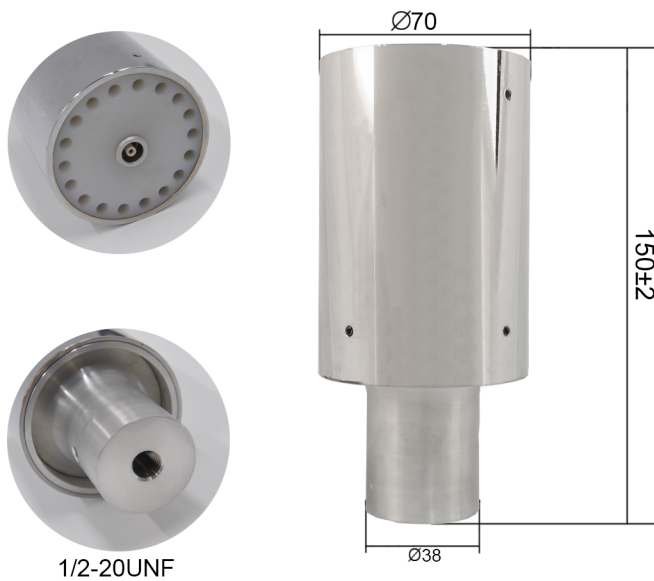
# Premium Ultrasonic Transducers



## Specifications

Model: CJ2012K  
 Power (kW max): 3  
 Frequency (kHz): 20  
 Capacitance: 18000-20000  
 Transducer Material: Aluminum

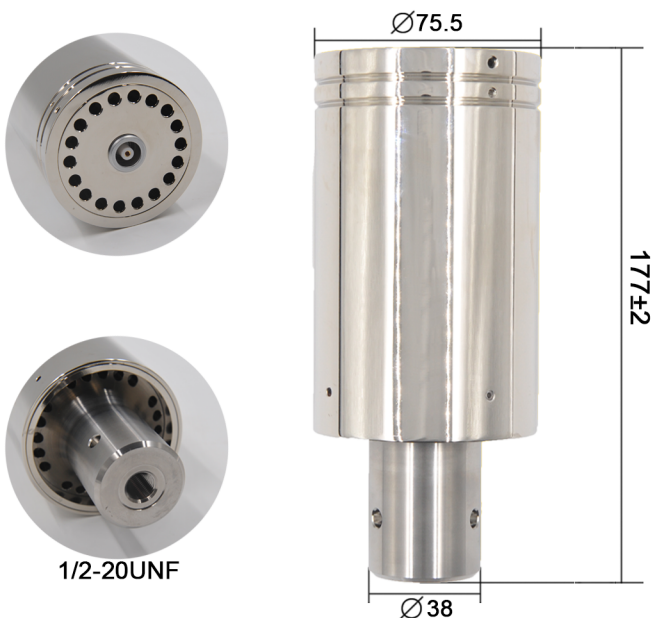
Applicable Industries:  
 Plastic Welding  
 Metal Welding



## Specifications

Model: CJ2018K  
 Power (kW max): 2  
 Frequency (kHz): 20  
 Capacitance: 11000-12000  
 Transducer Material: Aluminum

Applicable Industries:  
 Plastic Welding



## Specifications

Model: CJ2022K  
 Power (kW max): 4  
 Frequency (kHz): 20  
 Capacitance: 19500-22500  
 Transducer Material: Titanium

Applicable Industries:  
 Metal Welding

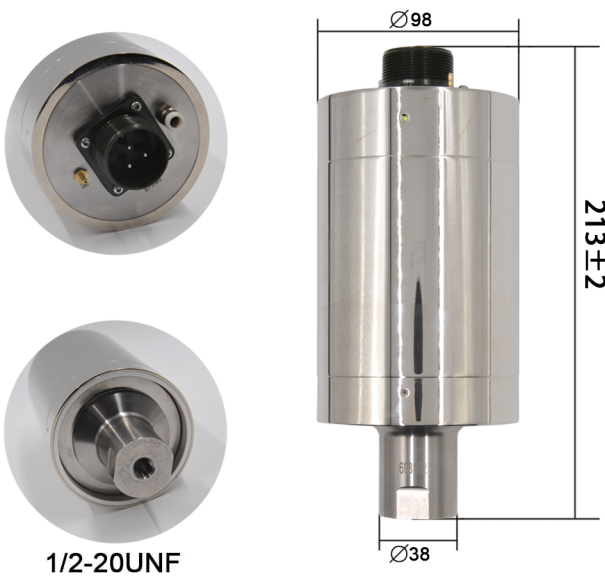
# Premium Ultrasonic Transducers



## Specifications

Model: CJ2020K  
 Power (kW max): 3  
 Frequency (kHz): 20  
 Capacitance: 13500-14800  
 Transducer Material: Titanium

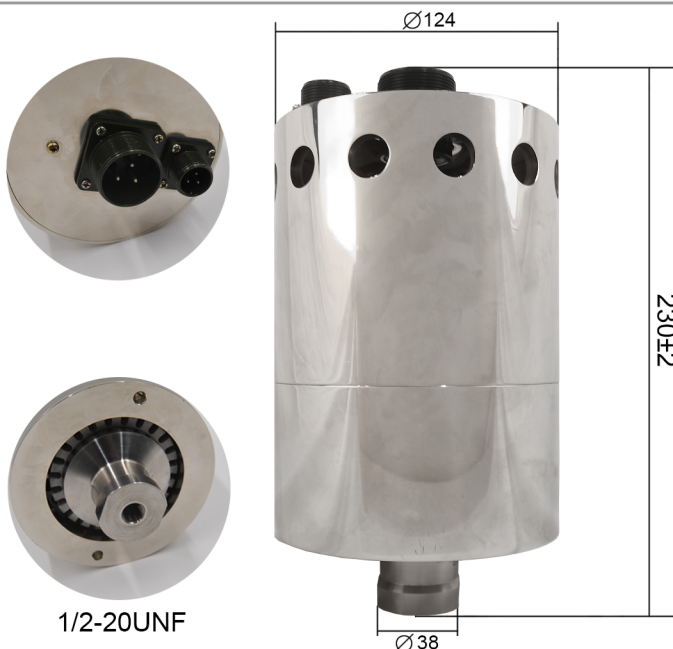
Applicable Industries:  
 Plastic Welding



## Specifications

Model: CJ2015K  
 Power (kW max): 5.5  
 Frequency (kHz): 20  
 Capacitance: 21000-23000  
 Transducer Material: Titanium

Applicable Industries:  
 Metal Welding



## Specifications

Model: CJ2014K  
 Power (kW max): 5.5  
 Frequency (kHz): 20  
 Capacitance: 23500-26000  
 Transducer Material: Titanium

Applicable Industries:  
 Metal Welding

# Premium Ultrasonic Transducers



M12\*1.25



## Specifications

Model: CJ2016K  
 Power (kW max): 6  
 Frequency (kHz): 20  
 Capacitance: 19500-21500  
 Transducer Material: Aluminum

Applicable Industries:  
 Metal Welding



M12\*1.25



## Specifications

Model: CJ2023K  
 Power (kW max): 6  
 Frequency (kHz): 20  
 Capacitance: 27000-29500  
 Transducer Material: Titanium

Applicable Industries:  
 Metal Welding



1/2-20UNF

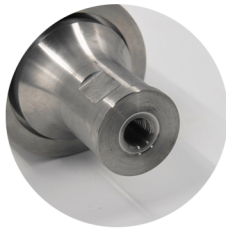
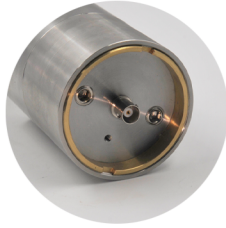


## Specifications

Model: CJ2017K  
 Power (kW max): 2  
 Frequency (kHz): 20  
 Capacitance: 12000-13000  
 Transducer Material: Aluminum

Applicable Industries:  
 Plastic Welding

# Premium Ultrasonic Transducers



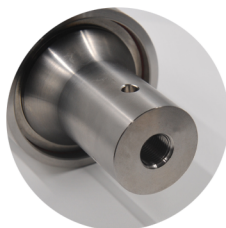
M12\*1.25



## Specifications

Model: CJ2024K  
 Power (kW max): 6  
 Frequency (kHz): 20  
 Capacitance: 19000-20800  
 Transducer Material: Titanium

Applicable Industries:  
 Metal Welding



1/2-20unf



## Specifications

Model: CJ2021K  
 Power (kW max): 3  
 Frequency (kHz): 20  
 Capacitance: 13500-15500  
 Transducer Material: Titanium

Applicable Industries:  
 Metal Welding



1/2-20unf

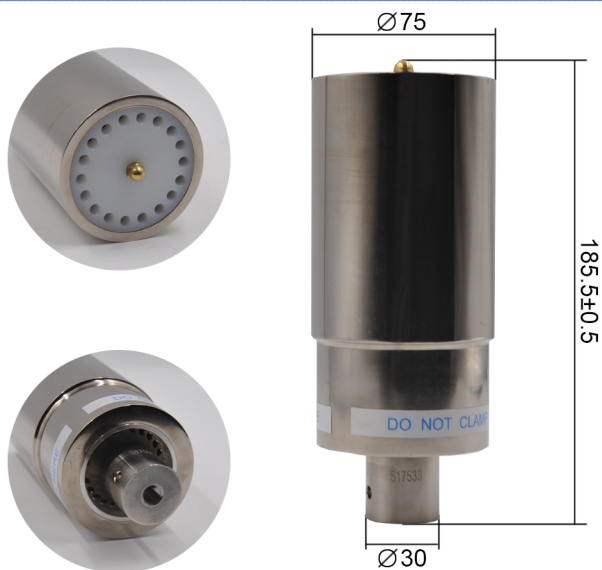


## Specifications

Model: CJ2022K  
 Power (kW max): 9  
 Frequency (kHz): 20  
 Capacitance: 22000-26000  
 Transducer Material: Titanium

Applicable Industries:  
 Metal Welding

# Premium Ultrasonic Transducers

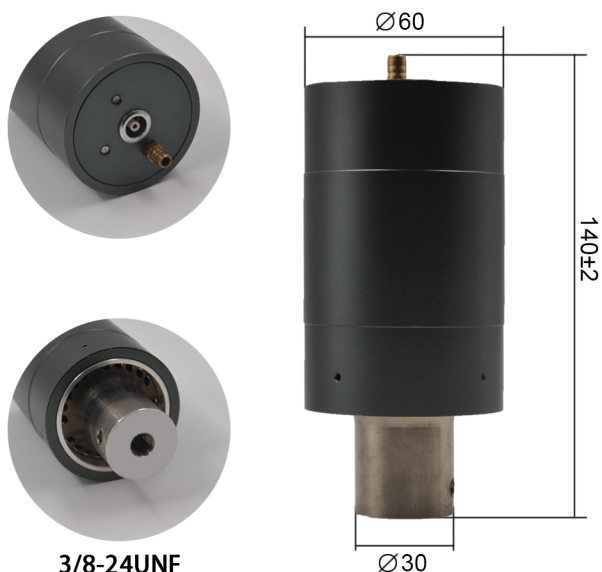


3/8-24UNF

## Specifications

Model: CJ3012K  
 Power (kW max): 1.5  
 Frequency (kHz): 30  
 Capacitance: 7200-8200  
 Transducer Material: Aluminum

Applicable Industries:  
 Plastic Welding



3/8-24UNF

## Specifications

Model: CJ3011K  
 Power (kW max): 1.5  
 Frequency (kHz): 30  
 Capacitance: 8700-9500  
 Transducer Material: Aluminum

Applicable Industries:  
 Plastic Welding



M8

## Specifications

Model: CJ3515K  
 Power (kW max): 1.2  
 Frequency (kHz): 35  
 Capacitance: 8500-9500  
 Transducer Material: Titanium

Applicable Industries:  
 Plastic Welding

# Premium Ultrasonic Transducers



M8



## Specifications

Model: CJ3511K  
 Power (kW max): 1.2  
 Frequency (kHz): 35  
 Capacitance: 4500-5500  
 Transducer Material: Titanium

Applicable Industries:  
 Plastic Welding



M8



## Specifications

Model: CJ3512K  
 Power (kW max): 1.2  
 Frequency (kHz): 35  
 Capacitance: 5500-5800  
 Transducer Material: Titanium

Applicable Industries:  
 Plastic Welding



M10\*1.25



## Specifications

Model: CJ3514K  
 Power (kW max): 1.2  
 Frequency (kHz): 35  
 Capacitance: 5700-6600  
 Transducer Material: Titanium

Applicable Industries:  
 Plastic Welding

# Premium Ultrasonic Transducers



M8



## Specifications

Model: CJ3518K  
 Power (kW max): 1.2  
 Frequency (kHz): 35  
 Capacitance: 5500-6200  
 Transducer Material: Aluminum

Applicable Industries:  
 Plastic Welding



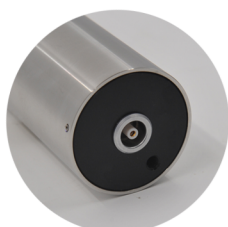
M8



## Specifications

Model: CJ3516K  
 Power (kW max): 1.2  
 Frequency (kHz): 35  
 Capacitance: 6800-8000  
 Transducer Material: Titanium

Applicable Industries:  
 Plastic Welding



M8



## Specifications

Model: CJ3519K  
 Power (kW max): 1.2  
 Frequency (kHz): 35  
 Capacitance: 2800-3200  
 Transducer Material: Aluminum

Applicable Industries:  
 Plastic Welding

# Premium Ultrasonic Transducers



M8



## Specifications

Model: CJ4012K  
 Power (W max): 800  
 Frequency (kHz): 40  
 Capacitance: 5200-6000  
 Transducer Material: Aluminum

Applicable Industries:  
 Plastic Welding  
 Metal Welding



M8



## Specifications

Model: CJ4014K  
 Power (W max): 800  
 Frequency (kHz): 40  
 Capacitance: 5200-6000  
 Transducer Material: Aluminum

Applicable Industries:  
 Plastic Welding  
 Metal Welding