

# VIBRATION

# SERIES

振动子系列



我公司拥有强大的技术研发团队，新的研制产品和定制产品未编入在本样册中，敬请见谅！

# VIBRATION SERIES

## 振动子系列

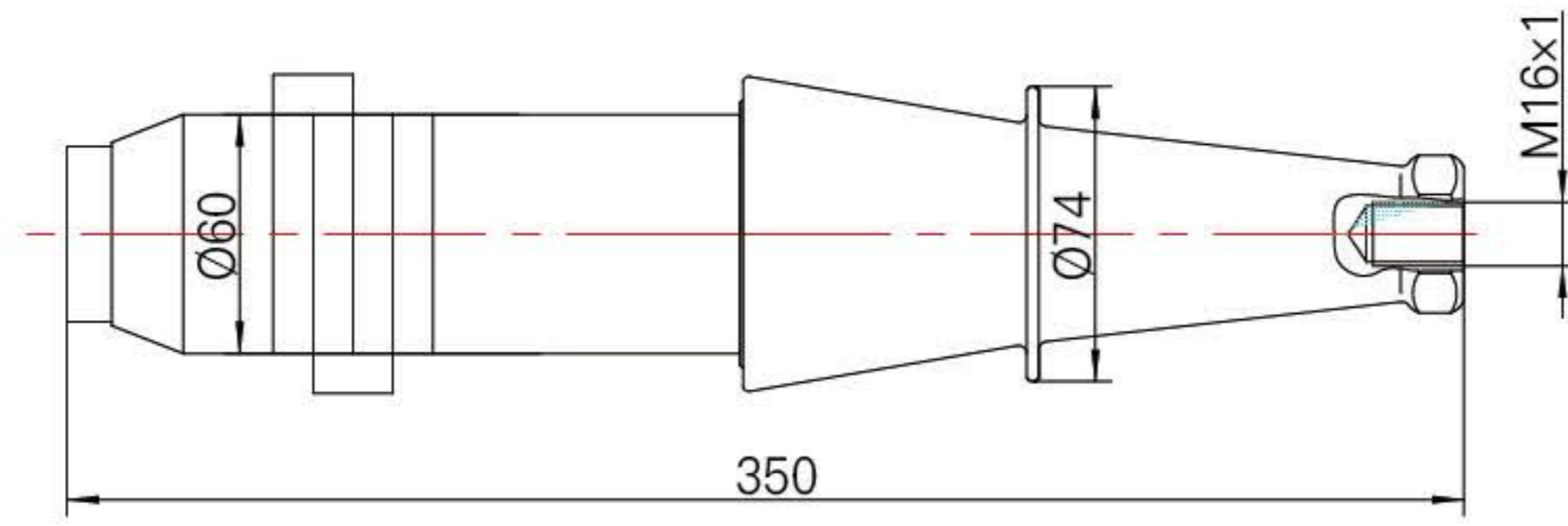
- |   |  |       |     |
|---|--|-------|-----|
|    | <b>15K 振动子系列</b><br>15K vibration series               | ..... | P10 |
|    | <b>15K 双头振动子系列</b><br>15K double head vibration series | ..... | P11 |
|   | <b>20K 振动子系列</b><br>20K vibration series               | ..... | P12 |
|  | <b>20K 双头振动子系列</b><br>20K double head vibration series | ..... | P14 |
|  | <b>28K 振动子系列</b><br>28K vibration series               | ..... | P14 |
|  | <b>30K 振动子系列</b><br>30K vibration series               | ..... | P15 |
|  | <b>35K 振动子系列</b><br>35K vibration series               | ..... | P16 |
|  | <b>40K 振动子系列</b><br>40K vibration series               | ..... | P17 |
|  | <b>60K 振动子系列</b><br>60K vibration series               | ..... | P17 |
|  | <b>70K 振动子系列</b><br>70K vibration series               | ..... | P17 |

Notes: 本系列产品根据杭州成功超声设备有限公司企业标准制定 ( Q/FYCG01-2014 )

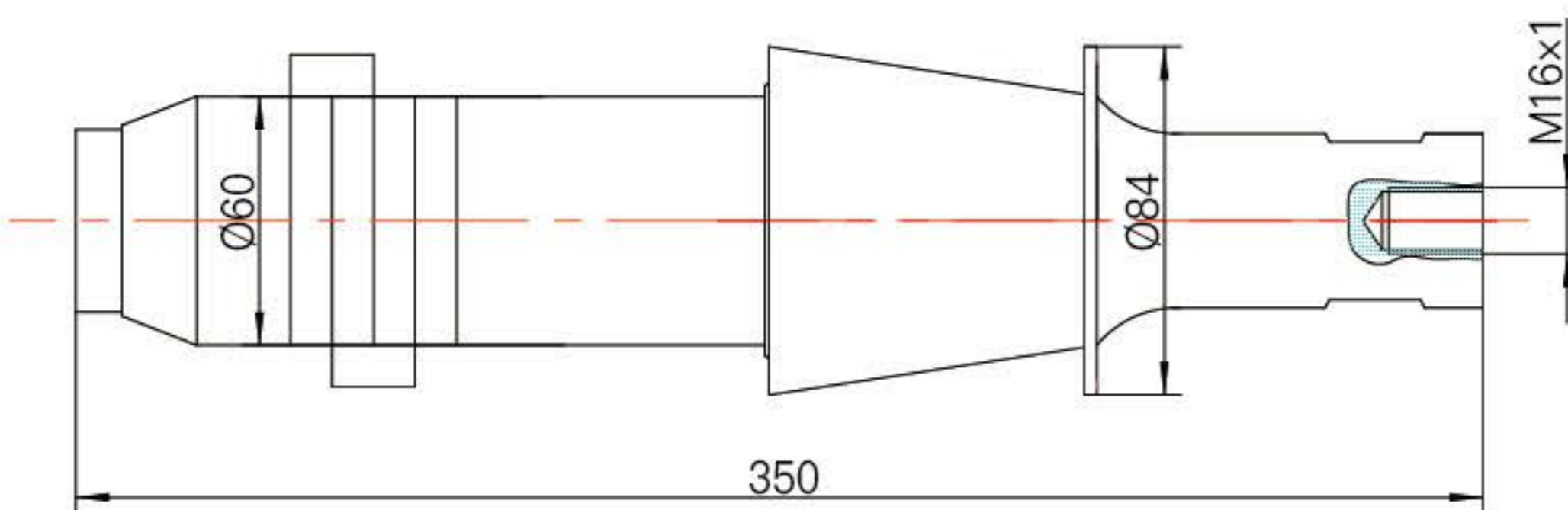
This series of products is established according to the enterprise standard of Hangzhou success ultrasonic equipment Co., Ltd. (Q/FYCG01-2014)


**YP-6015-4BZ-BZ**

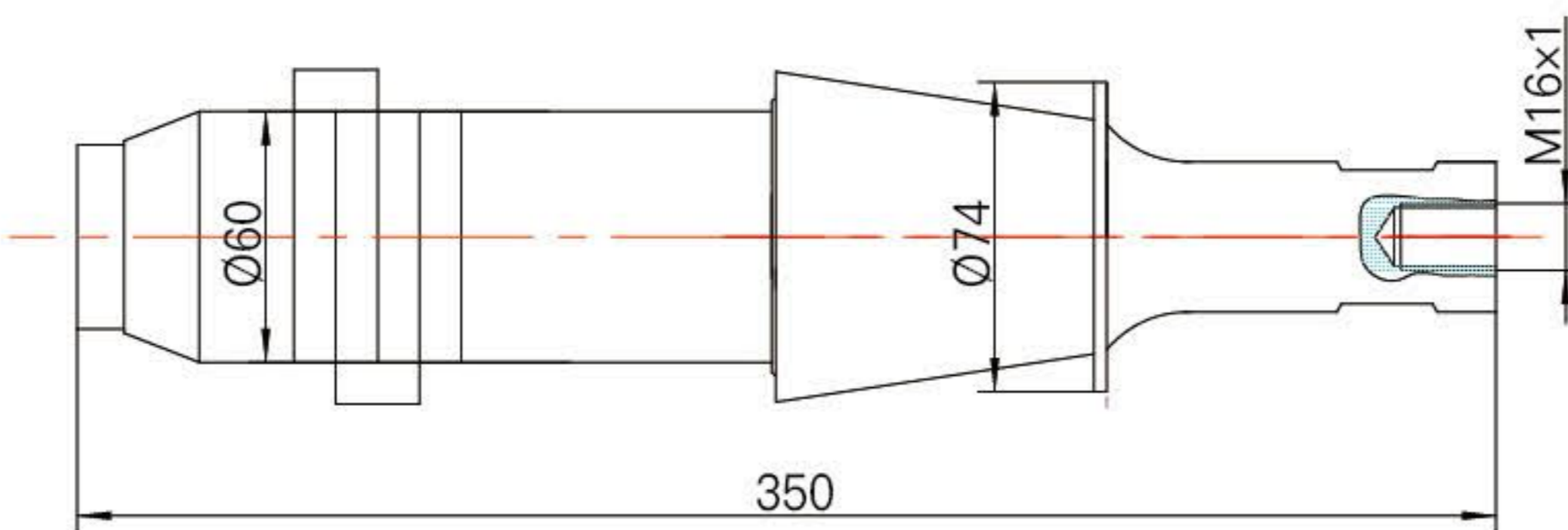
功率 Power	频率范围 Frequency range	电阻范围 Resistance range	晶片颜色及电容范围 (pf) Capacitor range			换能器形状 Transducer shape	变幅杆材料 Material of booster
(W)	(kHz)	(Ω)	黄片 yellow ceramic	灰片 grey ceramic	黑片 black ceramic		
2600	14.70-14.90	< 20	9000-10000	10000-11000	12500-13500	柱型 Type column	钢 Steel
订货编码 Order Code :			115-201	115-101	115-301		


**YP-6015-4BZ-LR**

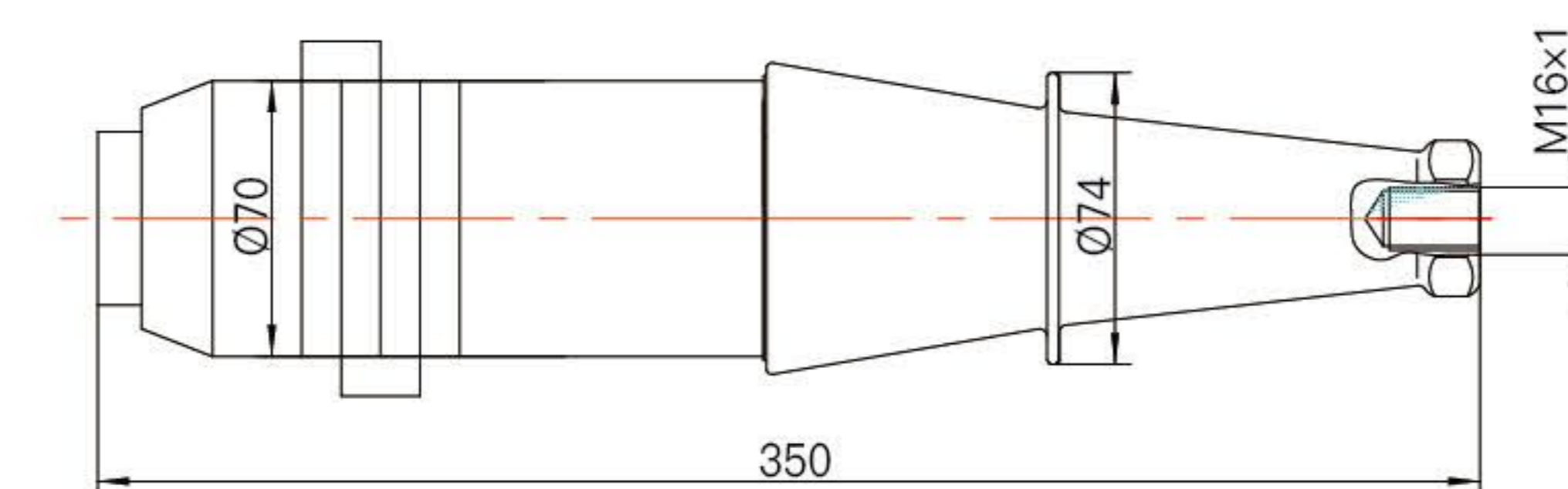
功率 Power	频率范围 Frequency range	电阻范围 Resistance range	晶片颜色及电容范围 (pf) Capacitor range			换能器形状 Transducer shape	变幅杆材料 Material of booster
(W)	(kHz)	(Ω)	黄片 yellow ceramic	灰片 grey ceramic	黑片 black ceramic		
2600	14.70-14.90	< 20	9000-10000	10000-11000	12500-13500	柱型 Type column	钢 Steel
订货编码 Order Code :			115-202	115-102	115-302		


**YP-6015-4BZ-RS**

功率 Power	频率范围 Frequency range	电阻范围 Resistance range	晶片颜色及电容范围 (pf) Capacitor range			换能器形状 Transducer shape	变幅杆材料 Material of booster
(W)	(kHz)	(Ω)	黄片 yellow ceramic	灰片 grey ceramic	黑片 black ceramic		
2600	14.70-14.90	< 20	9000-10000	10000-11000	12500-13500	柱型 Type column	钢 Steel
订货编码 Order Code :			115-203	115-103	115-303		


**YP-7015-4BZ-BZ**

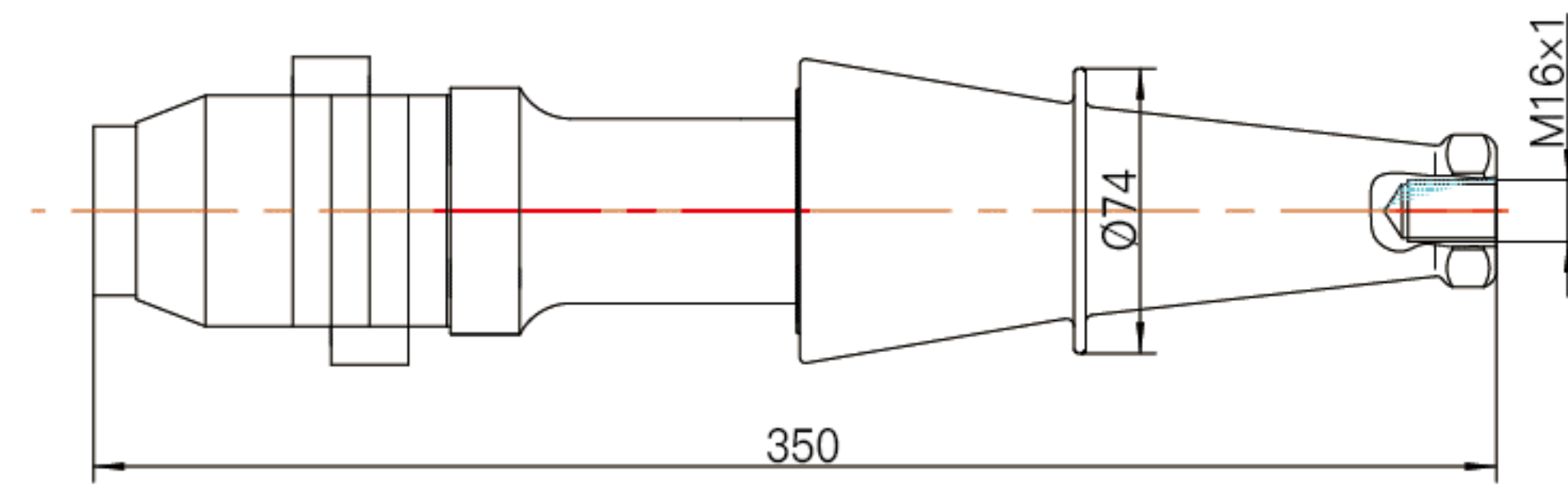
功率 Power	频率范围 Frequency range	电阻范围 Resistance range	晶片颜色及电容范围 (pf) Capacitor range			换能器形状 Transducer shape	变幅杆材料 Material of booster
(W)	(kHz)	(Ω)	黄片 yellow ceramic	灰片 grey ceramic	黑片 black ceramic		
3600	14.70-14.90	< 20	12500-14000	—	—	柱型 Type column	钢 Steel
订货编码 Order Code :			115-204				



### YP-6015-4BD-BZ



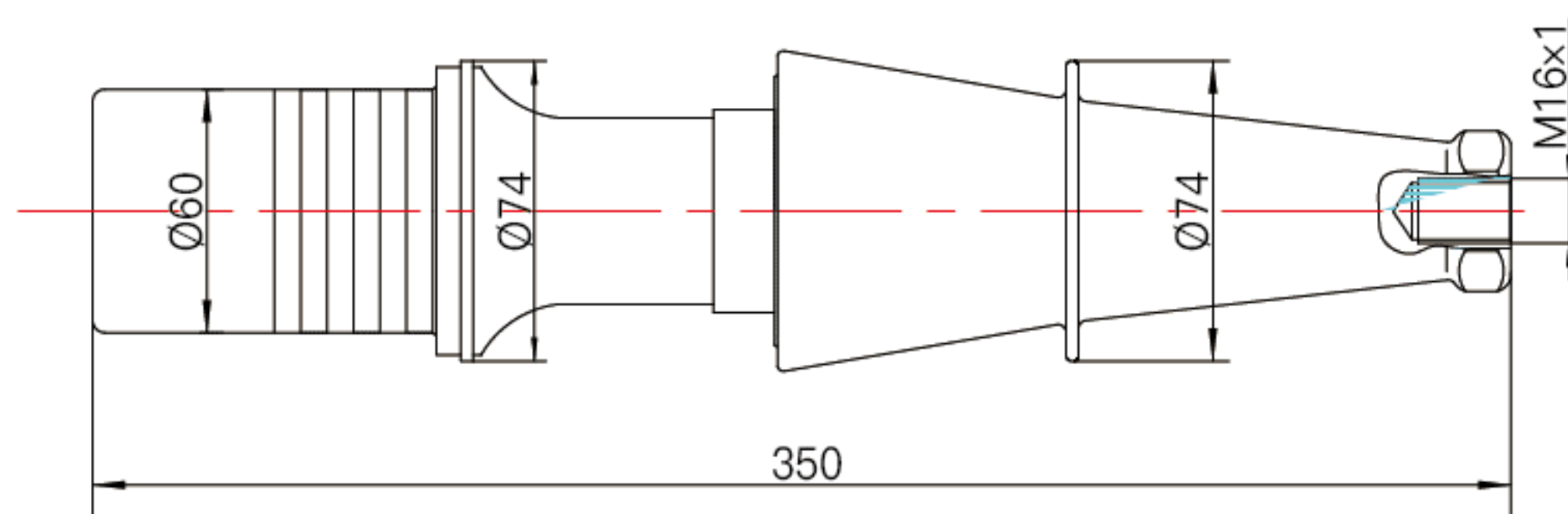
功率 Power	频率范围 Frequency range	电阻范围 Resistance range	晶片颜色及电容范围 (pf) Capacitor range			换能器形状 Transducer shape	变幅杆材料 Material of booster
(W)	(kHz)	(Ω)	黄片 yellow ceramic	灰片 grey ceramic	黑片 black ceramic		
2600	14.70-14.90	< 25	9000-10000	10000-11000	—	倒喇叭型 Inverted horn	钢 Steel
订货编码 Order Code :			115-205	115-105			



### YP-6015-6BD-BZ



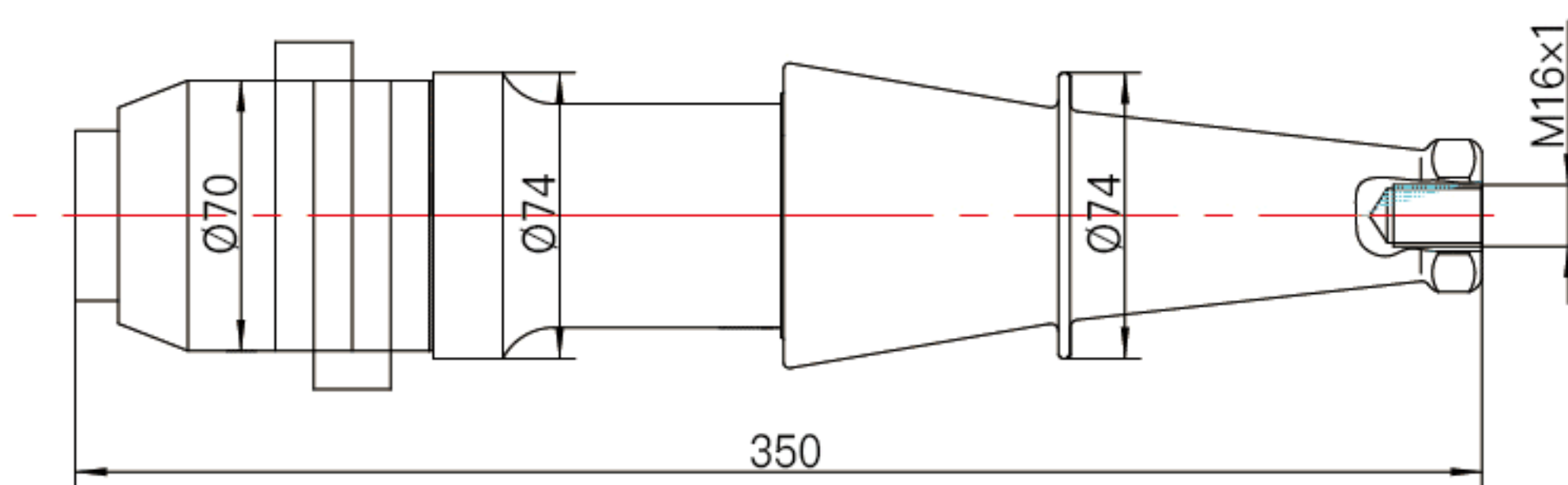
功率 Power	频率范围 Frequency range	电阻范围 Resistance range	晶片颜色及电容范围 (pf) Capacitor range			换能器形状 Transducer shape	变幅杆材料 Material of booster
(W)	(kHz)	(Ω)	黄片 yellow ceramic	灰片 grey ceramic	黑片 black ceramic		
3600	14.70-14.90	< 20	19000-20500	—	23000-25000	倒喇叭型 Inverted horn	钢 Steel
订货编码 Order Code :			115-206		115-306		



### YP-7015-4BD-BZ



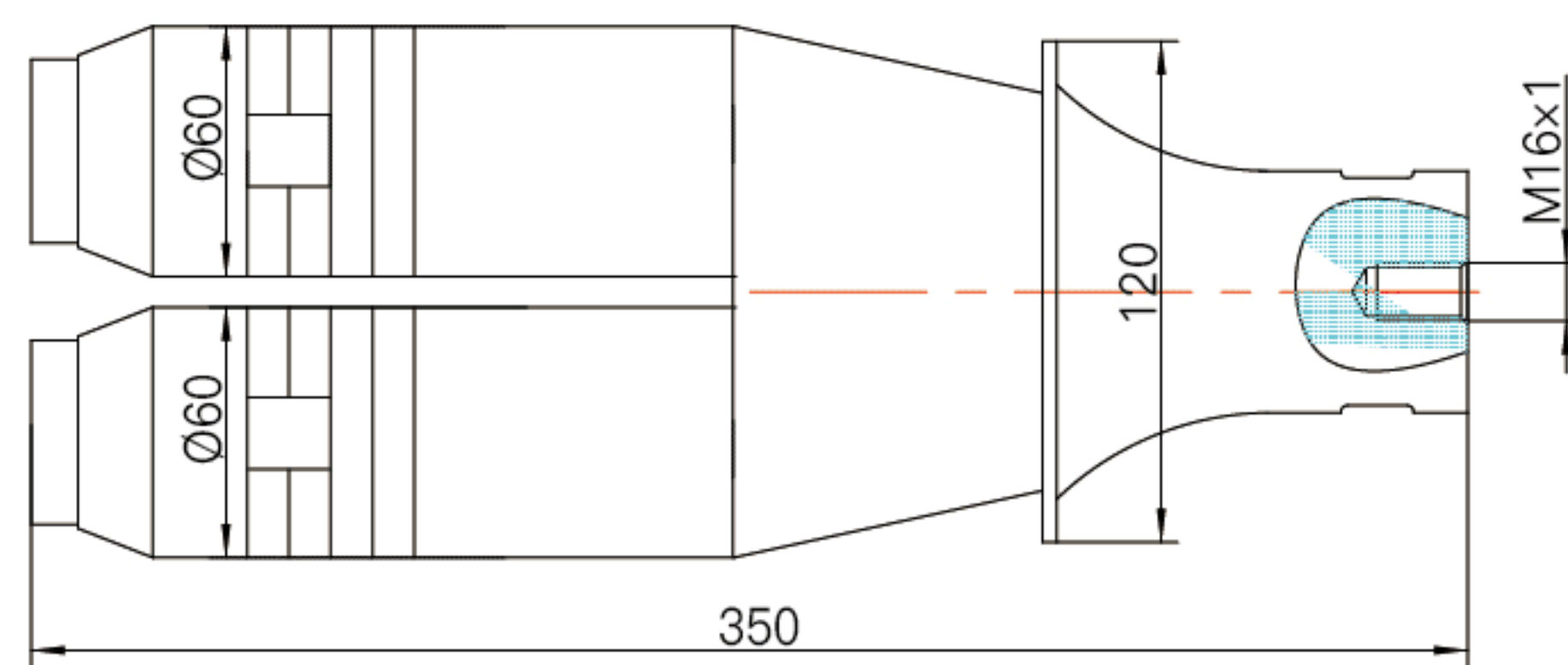
功率 Power	频率范围 Frequency range	电阻范围 Resistance range	晶片颜色及电容范围 (pf) Capacitor range			换能器形状 Transducer shape	变幅杆材料 Material of booster
(W)	(kHz)	(Ω)	黄片 yellow ceramic	灰片 grey ceramic	黑片 black ceramic		
3600	14.70-14.90	< 20	12500-14000	—	—	倒喇叭型 Inverted horn	钢 Steel
订货编码 Order Code :			115-207				



### YP-6015-4BZ-LS



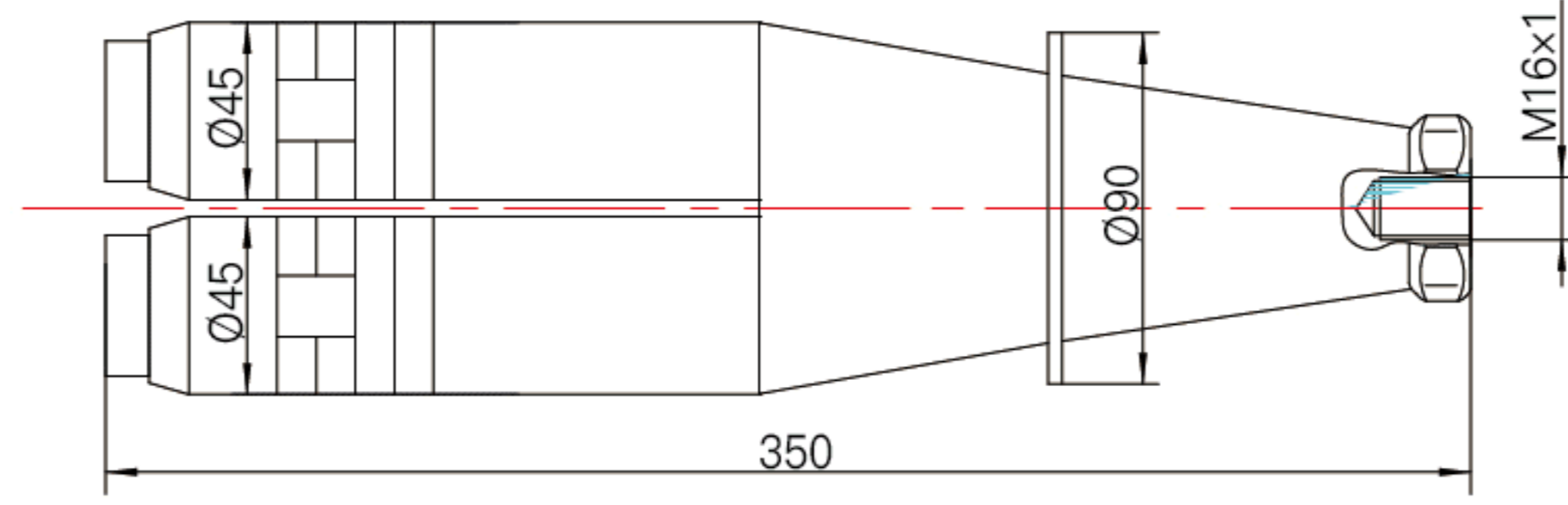
功率 Power	频率范围 Frequency range	电阻范围 Resistance range	晶片颜色及电容范围 (pf) Capacitor range			换能器形状 Transducer shape	变幅杆材料 Material of booster
(W)	(kHz)	(Ω)	黄片 yellow ceramic	灰片 grey ceramic	黑片 black ceramic		
4200	14.70-14.90	< 20	18000-20000	20000-22000	—	柱型 Type column	钢 Steel
订货编码 Order Code :			115-208	115-108			





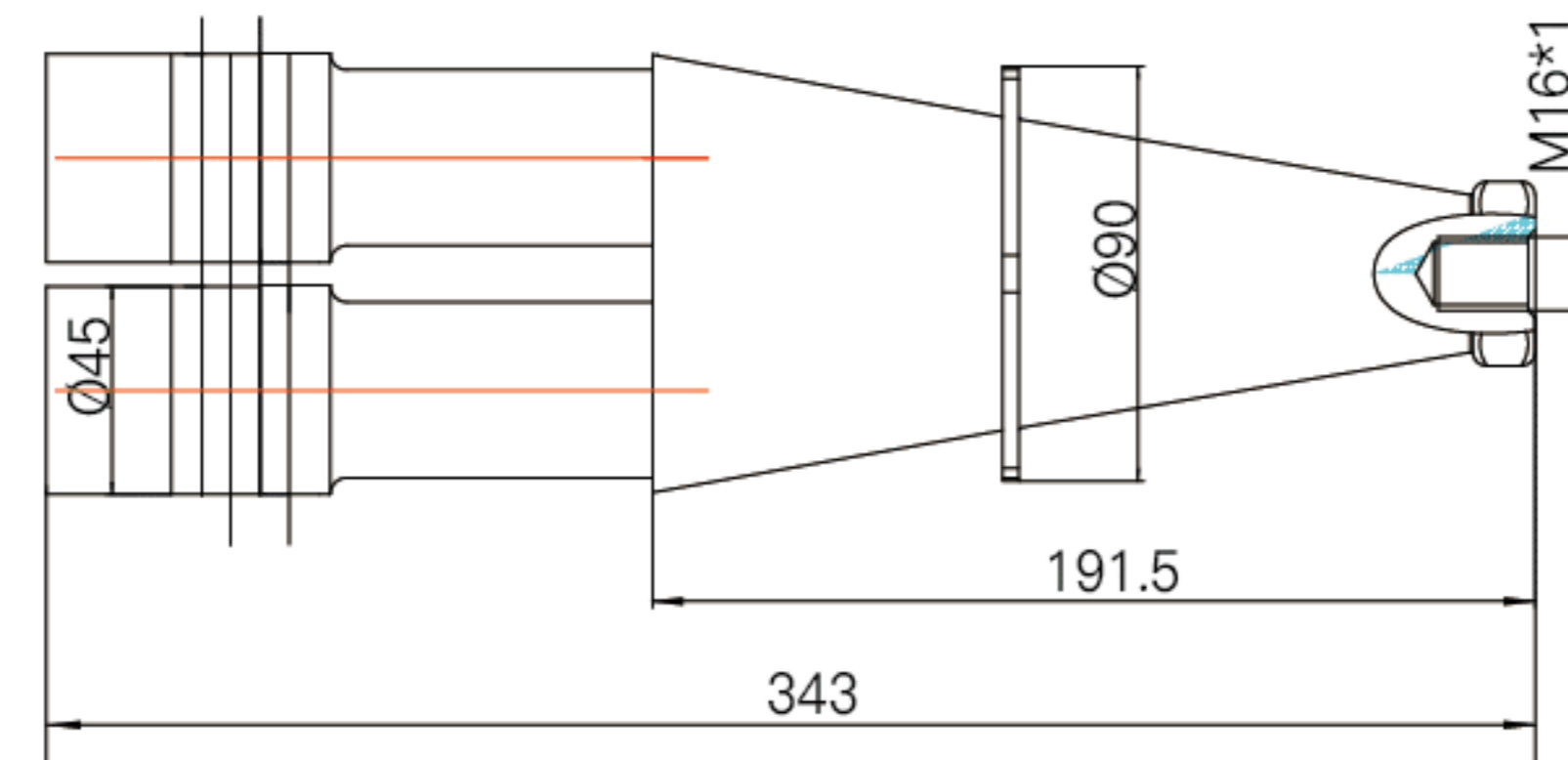
### YP-4515-4YZ-SS

功率 Power	频率范围 Frequency range	电阻范围 Resistance range	晶片颜色及电容范围 (pf) Capacitor range			换能器形状 Transducer shape	变幅杆材料 Material of booster
(W)	(kHz)	(Ω)	黄片 yellow ceramic	灰片 grey ceramic	黑片 black ceramic		
2400	14.70-14.90	< 20	—	—	25000-27000	柱型 Type column	钢 Steel
订货编码 Order Code :					115-309		



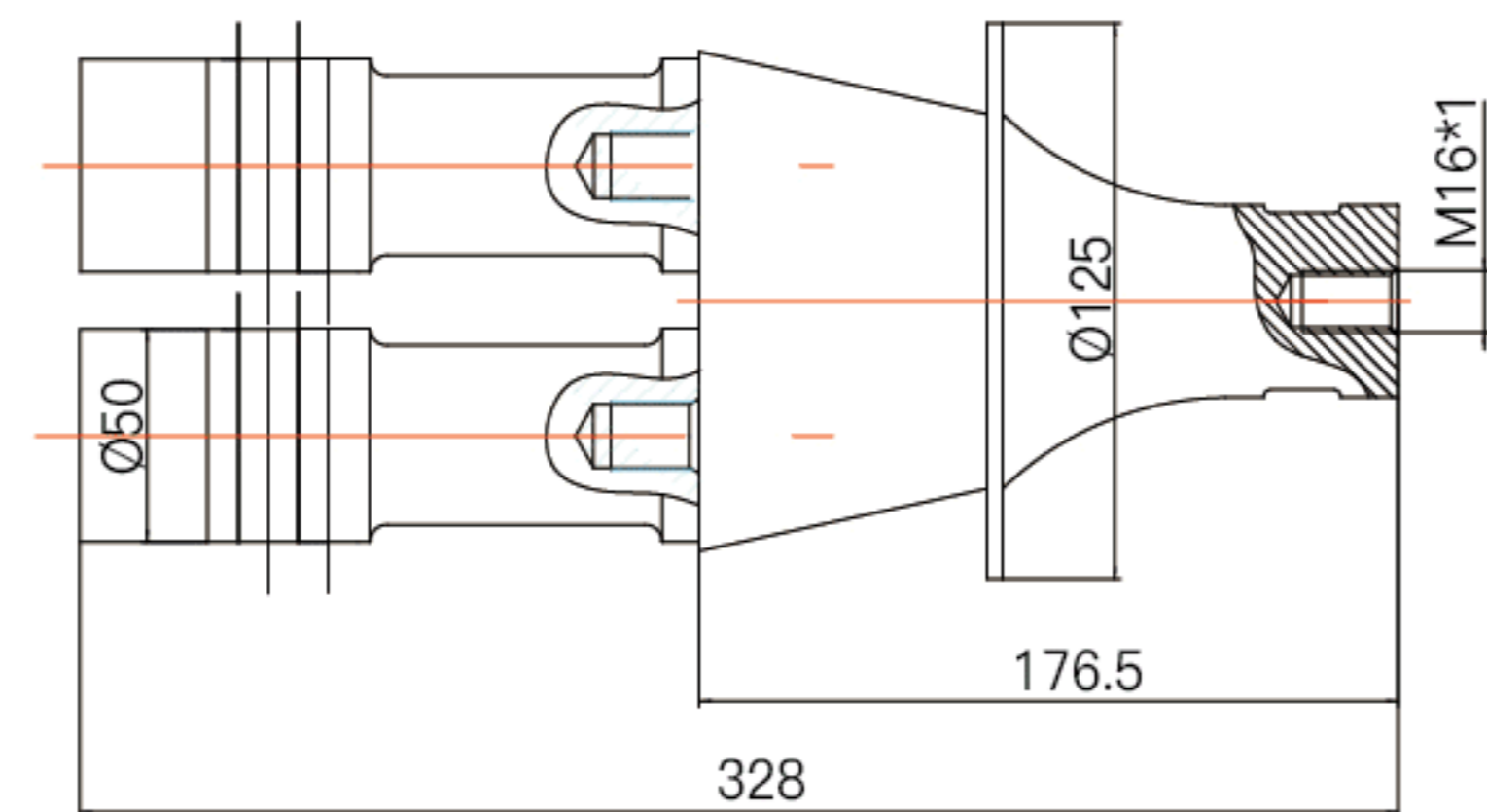
### YP-4515-4JZ-SS

功率 Power	频率范围 Frequency range	电阻范围 Resistance range	晶片颜色及电容范围 (pf) Capacitor range			换能器形状 Transducer shape	变幅杆材料 Material of booster
(W)	(kHz)	(Ω)	黄片 yellow ceramic	灰片 grey ceramic	黑片 black ceramic		
2800	14.70-14.90	< 20	19000-21000	—	—	柱型 Type column	钢 Steel
订货编码 Order Code :					115-210		



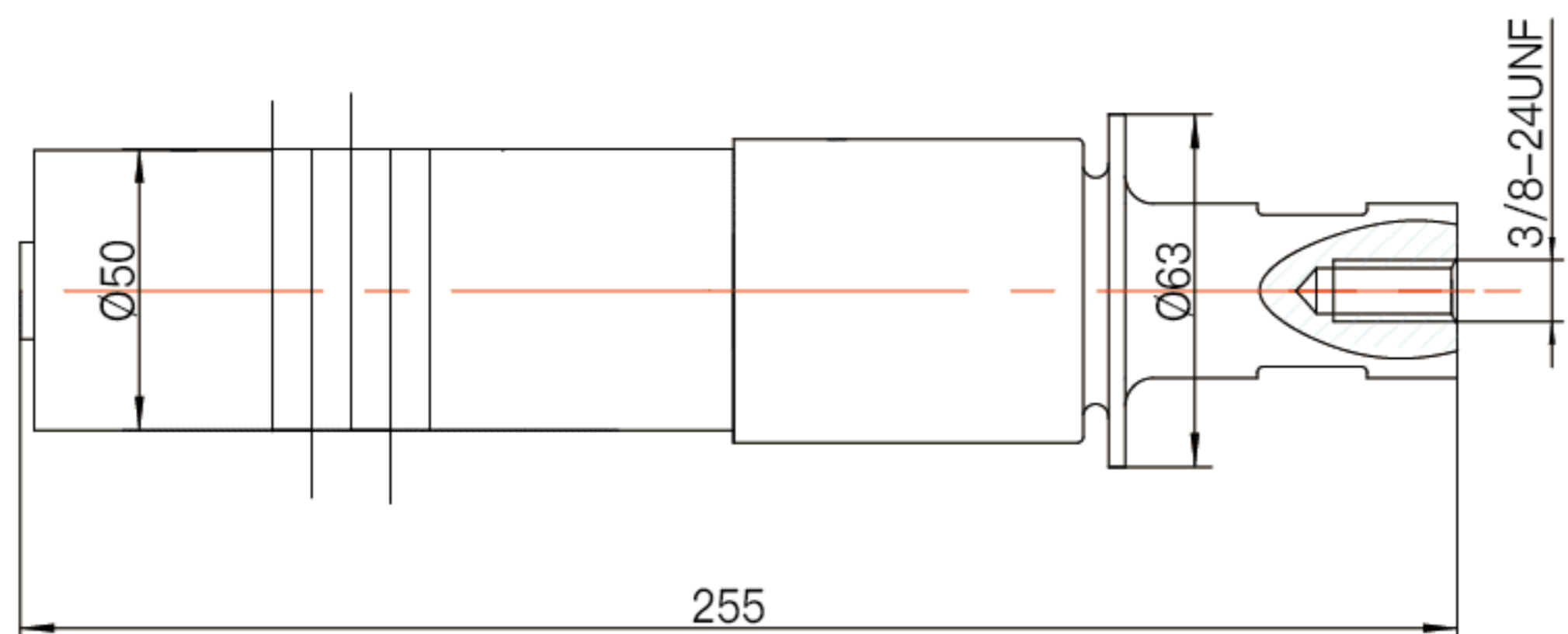
### YP-5015-4BZ-SZ

功率 Power	频率范围 Frequency range	电阻范围 Resistance range	晶片颜色及电容范围 (pf) Capacitor range			换能器形状 Transducer shape	变幅杆材料 Material of booster
(W)	(kHz)	(Ω)	黄片 yellow ceramic	灰片 grey ceramic	黑片 black ceramic		
3600	14.70-14.90	< 20	22000-24000	—	—	哑铃型 Type dumbbell	钢 Steel
订货编码 Order Code :					115-211		



### YP-5020-4CZ-BJ

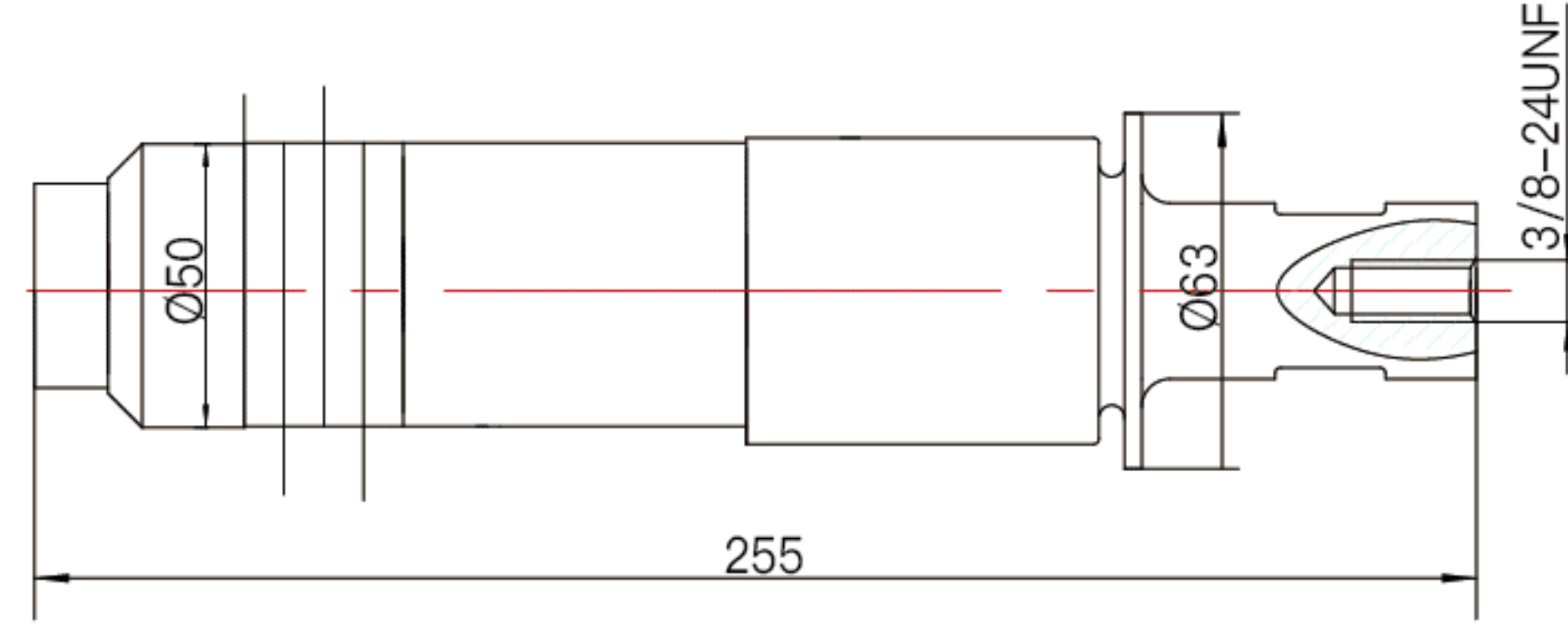
功率 Power	频率范围 Frequency range	电阻范围 Resistance range	晶片颜色及电容范围 (pf) Capacitor range			换能器形状 Transducer shape	变幅杆材料 Material of booster
(W)	(kHz)	(Ω)	黄片 yellow ceramic	灰片 grey ceramic	黑片 black ceramic		
1500	19.70-20.00	< 20	11000-12000	13000-14000	14500-16000	长柱型 Long column	钢 Steel
订货编码 Order Code :					120-212	120-112	120-312



### YP-5020-4BZ-BJ



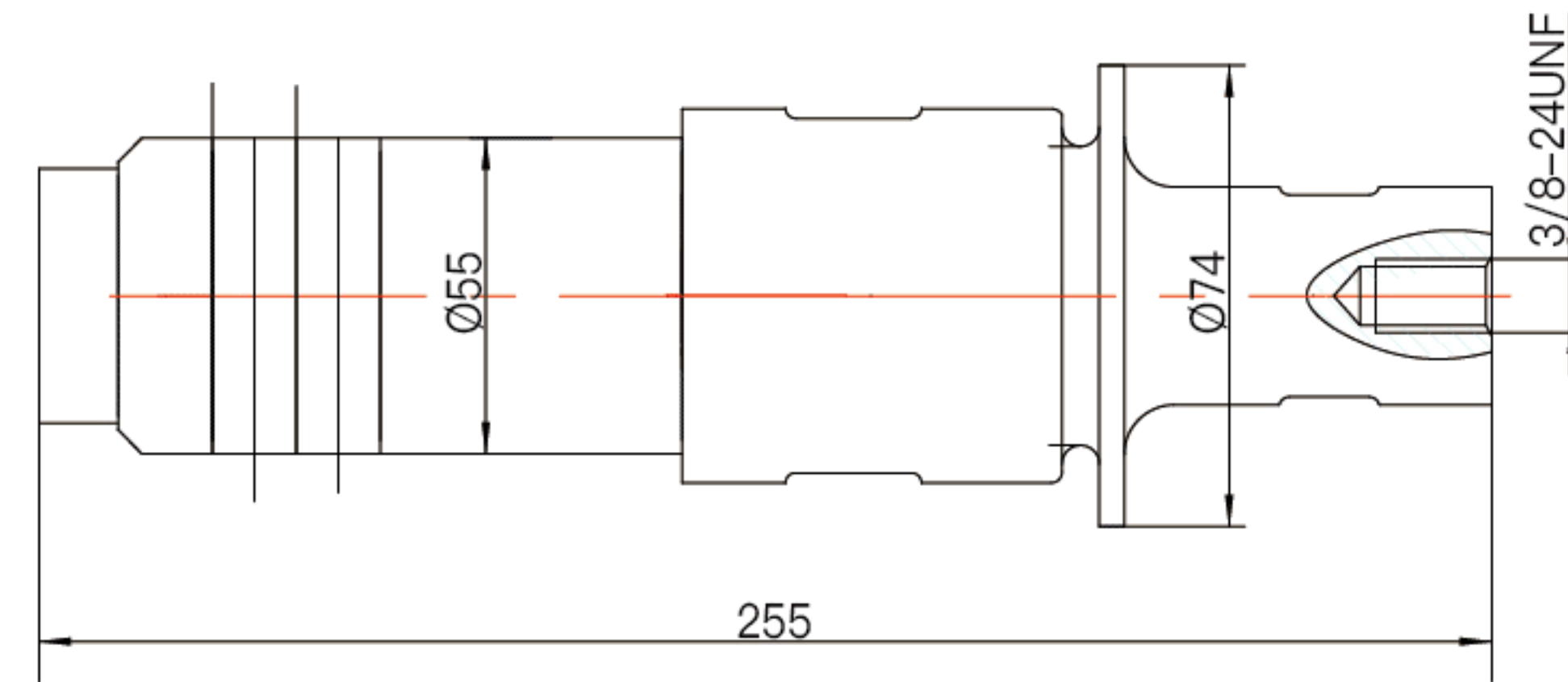
功率 Power	频率范围 Frequency range	电阻范围 Resistance range	晶片颜色及电容范围 (pf) Capacitor range			换能器形状 Transducer shape	变幅杆材料 Material of booster
(W)	(kHz)	(Ω)	黄片 yellow ceramic	灰片 grey ceramic	黑片 black ceramic		
1500	19.70-20.00	<20	11000-12000	13000-14000	14500-16000	柱型 Type column	钢 Steel
订货编码 Order Code :			120-213	120-113	120-313		



### YP-5520-4BZ-BJ



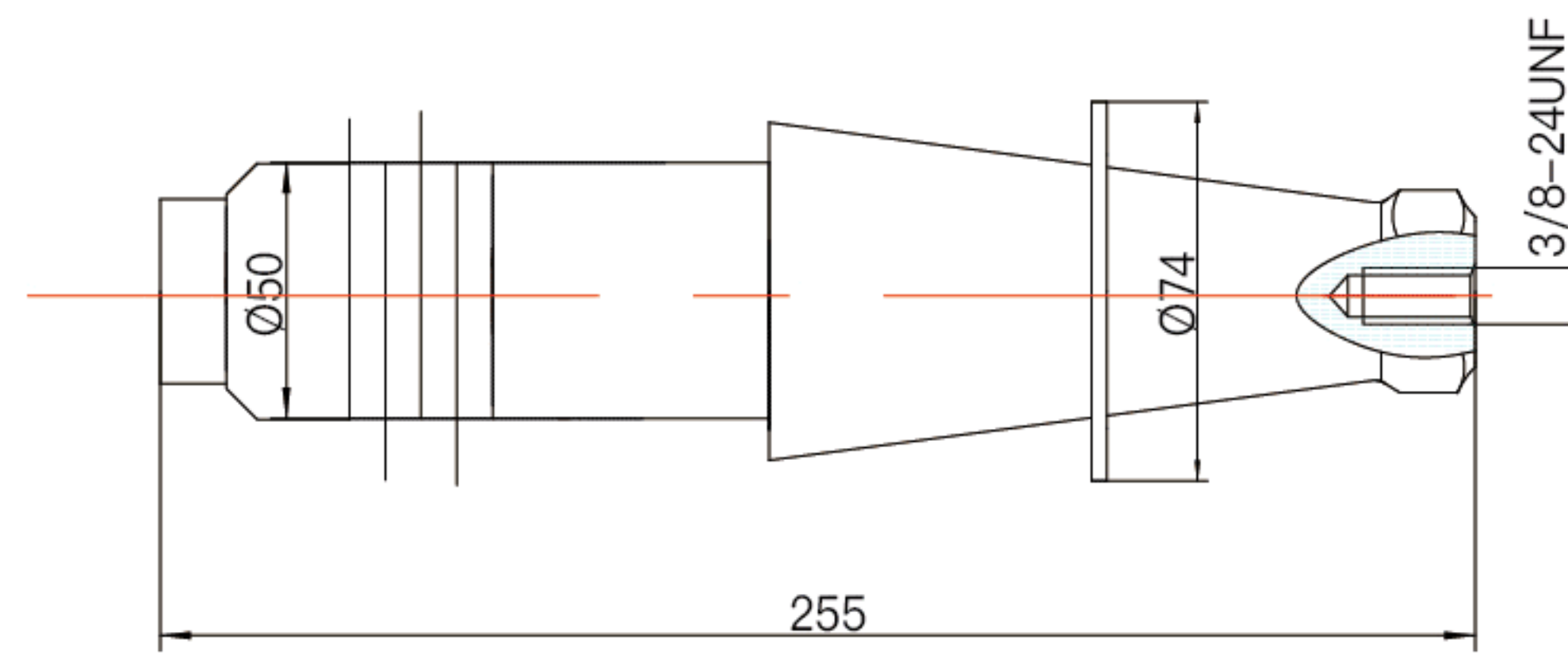
功率 Power	频率范围 Frequency range	电阻范围 Resistance range	晶片颜色及电容范围 (pf) Capacitor range			换能器形状 Transducer shape	变幅杆材料 Material of booster
(W)	(kHz)	(Ω)	黄片 yellow ceramic	灰片 grey ceramic	黑片 black ceramic		
1800	19.70-20.00	<20	10500-11500	—	—	柱型 Type column	钢 Steel
订货编码 Order Code :			120-214				



### YP-5020-4BZ-BZ



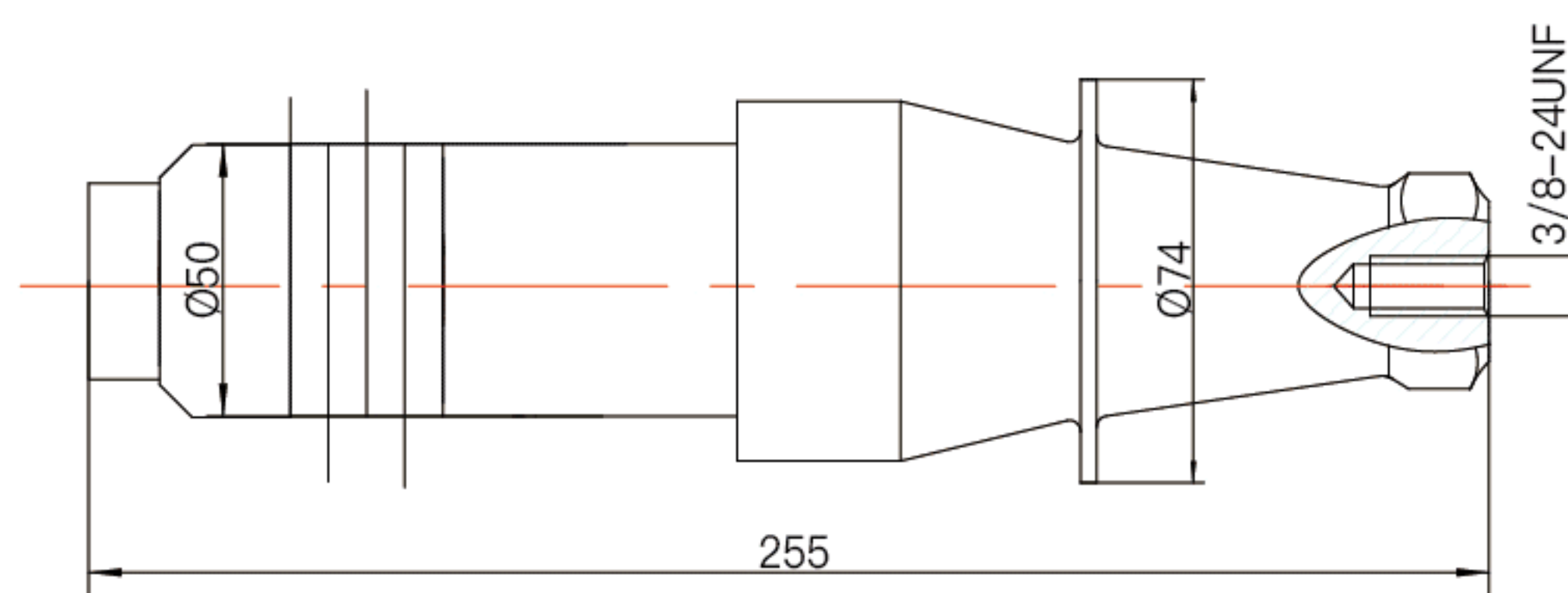
功率 Power	频率范围 Frequency range	电阻范围 Resistance range	晶片颜色及电容范围 (pf) Capacitor range			换能器形状 Transducer shape	变幅杆材料 Material of booster
(W)	(kHz)	(Ω)	黄片 yellow ceramic	灰片 grey ceramic	黑片 black ceramic		
1500	19.70-20.00	<20	11000-12000	13000-14000	14500-16000	柱型 Type column	钢 Steel
订货编码 Order Code :			120-215	120-115	120-315		



### YP-5020-4BZ-ZZ



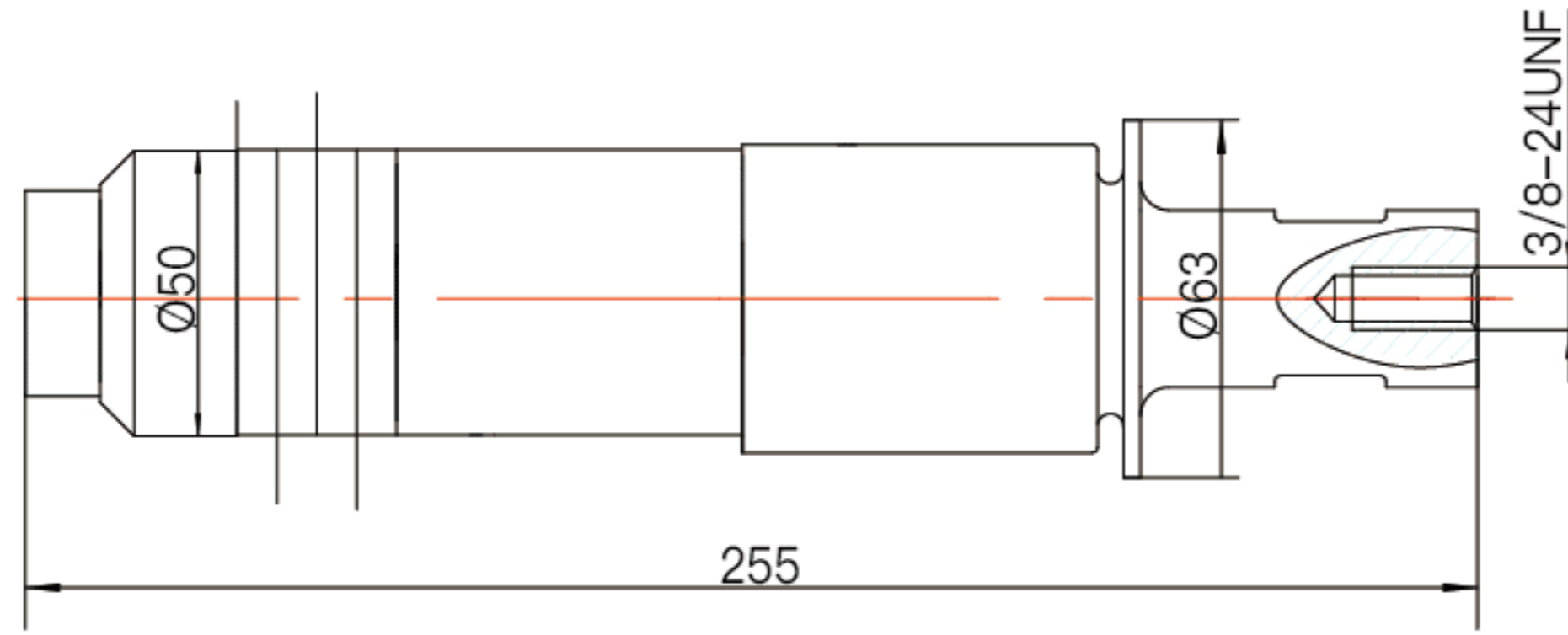
功率 Power	频率范围 Frequency range	电阻范围 Resistance range	晶片颜色及电容范围 (pf) Capacitor range			换能器形状 Transducer shape	变幅杆材料 Material of booster
(W)	(kHz)	(Ω)	黄片 yellow ceramic	灰片 grey ceramic	黑片 black ceramic		
1500	19.70-20.00	<20	11000-12000	13000-14000	14500-16000	柱型 Type column	钢 Steel
订货编码 Order Code :			120-216	120-116	120-316		



### YP-5020-4HZ-BJ



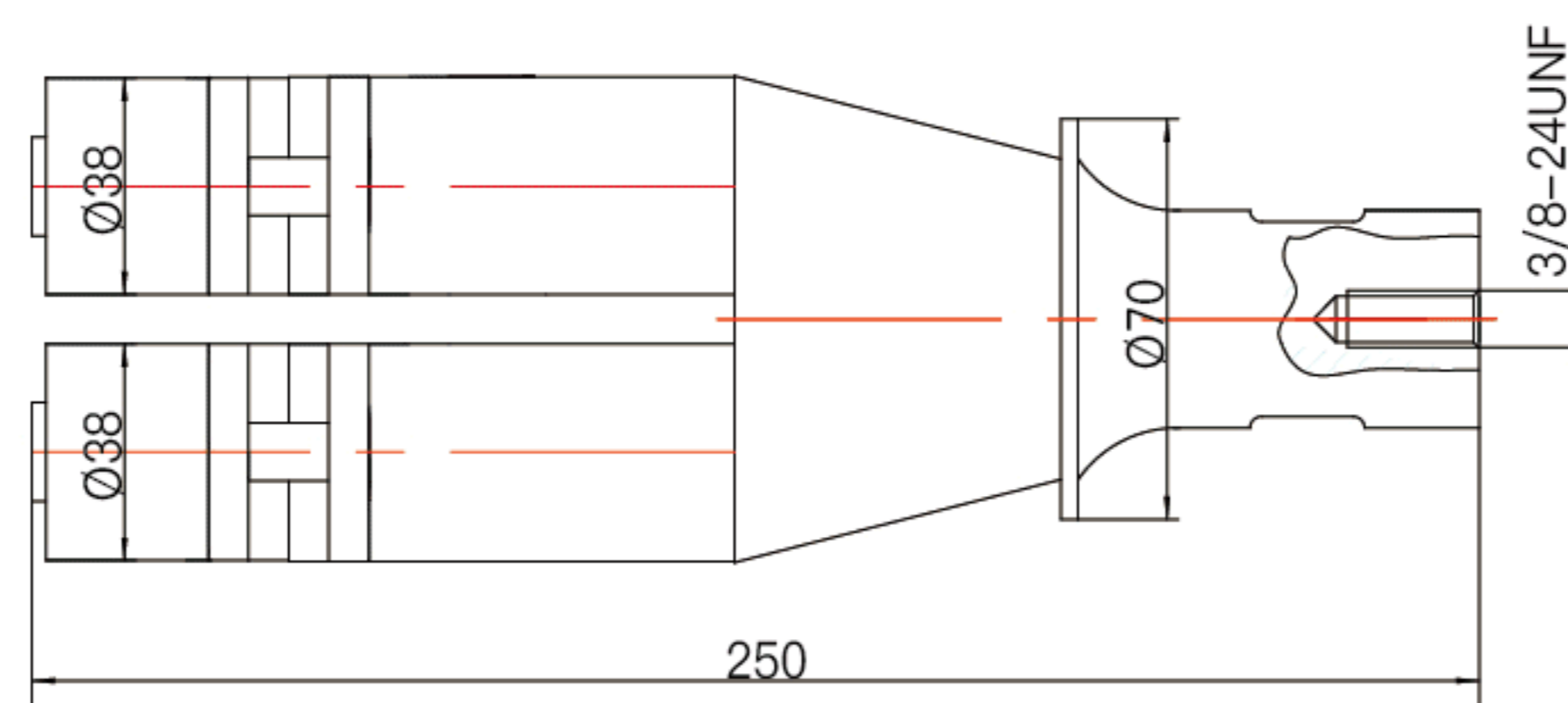
功率 Power	频率范围 Frequency range	电阻范围 Resistance range	晶片颜色及电容范围 (pf) Capacitor range			换能器形状 Transducer shape	变幅杆材料 Material of booster
(W)	(kHz)	(Ω)	黄片 yellow ceramic	灰片 grey ceramic	黑片 black ceramic	柱型	钢
1500	19.70-20.00	< 20	—	—	11000-12000	柱型	钢
订货编码 Order Code :					120-317	Type column	Steel



### YP-3820-4BZ-SS



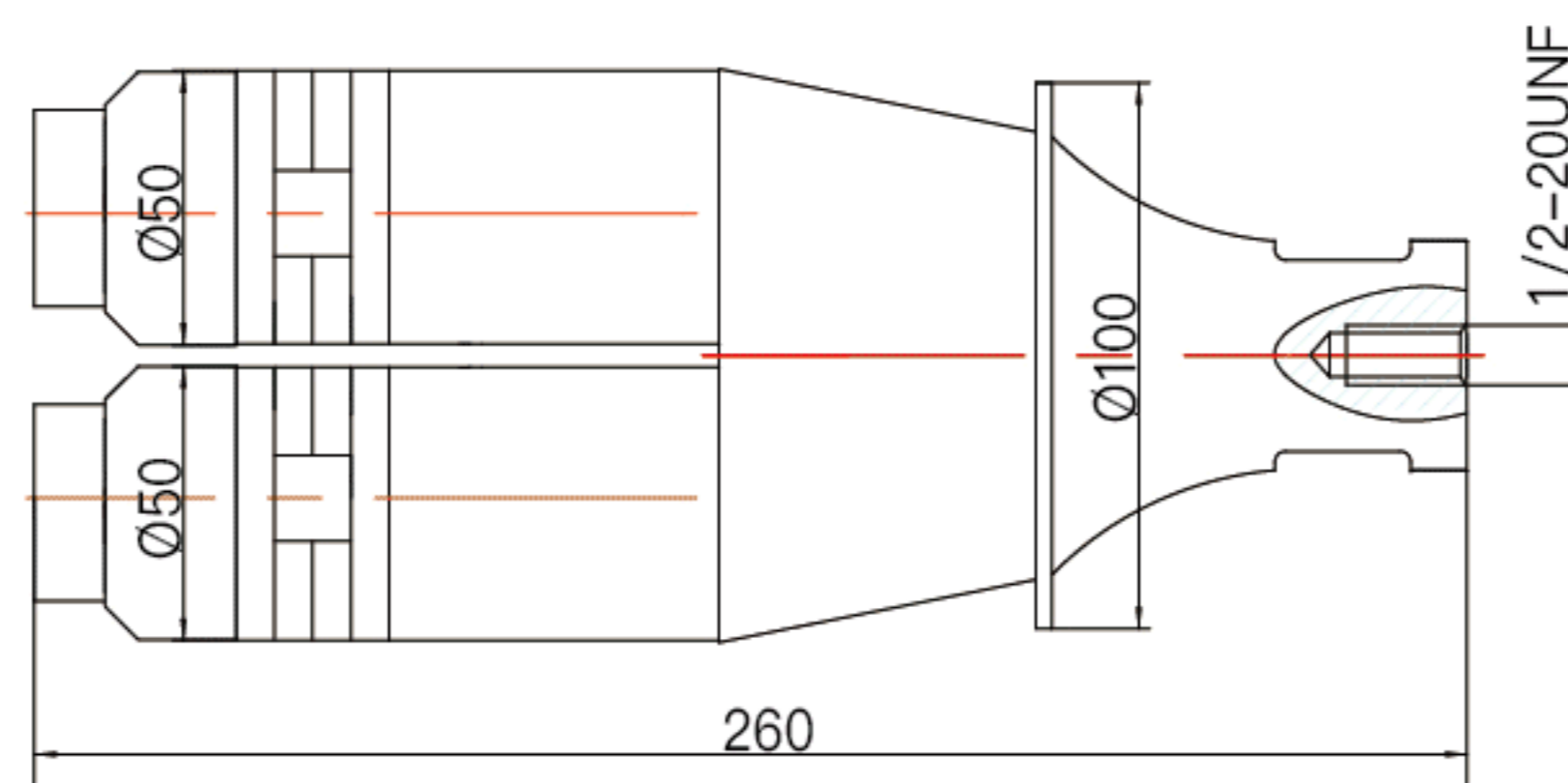
功率 Power	频率范围 Frequency range	电阻范围 Resistance range	晶片颜色及电容范围 (pf) Capacitor range			换能器形状 Transducer shape	变幅杆材料 Material of booster
(W)	(kHz)	(Ω)	黄片 yellow ceramic	灰片 grey ceramic	黑片 black ceramic	柱型	钢
1800	19.70-20.00	< 15	13000-14500	—	—	柱型	钢
订货编码 Order Code :			120-218			Type column	Steel



### YP-5020-4BZ-LS



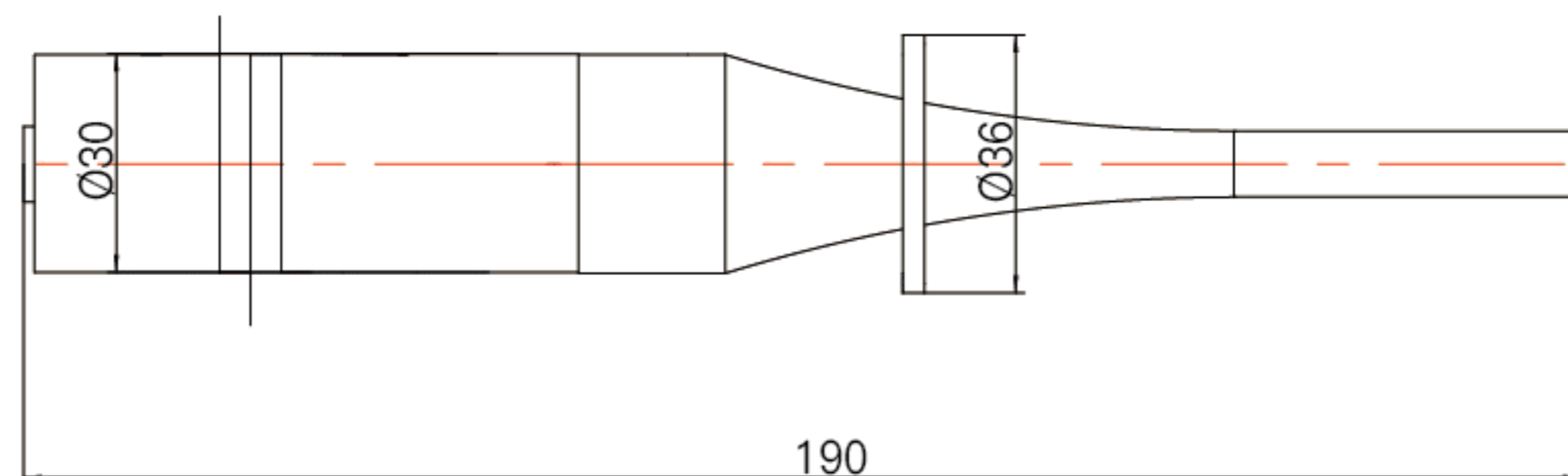
功率 Power	频率范围 Frequency range	电阻范围 Resistance range	晶片颜色及电容范围 (pf) Capacitor range			换能器形状 Transducer shape	变幅杆材料 Material of booster	
(W)	(kHz)	(Ω)	黄片 yellow ceramic	灰片 grey ceramic	黑片 black ceramic	柱型	钢	
2800	19.70-20.00	< 15	23000-25000	26000-28000	—	柱型	钢	
订货编码 Order Code :			120-219	120-119			Type column	Steel



### YP-3028-2BZ-BT



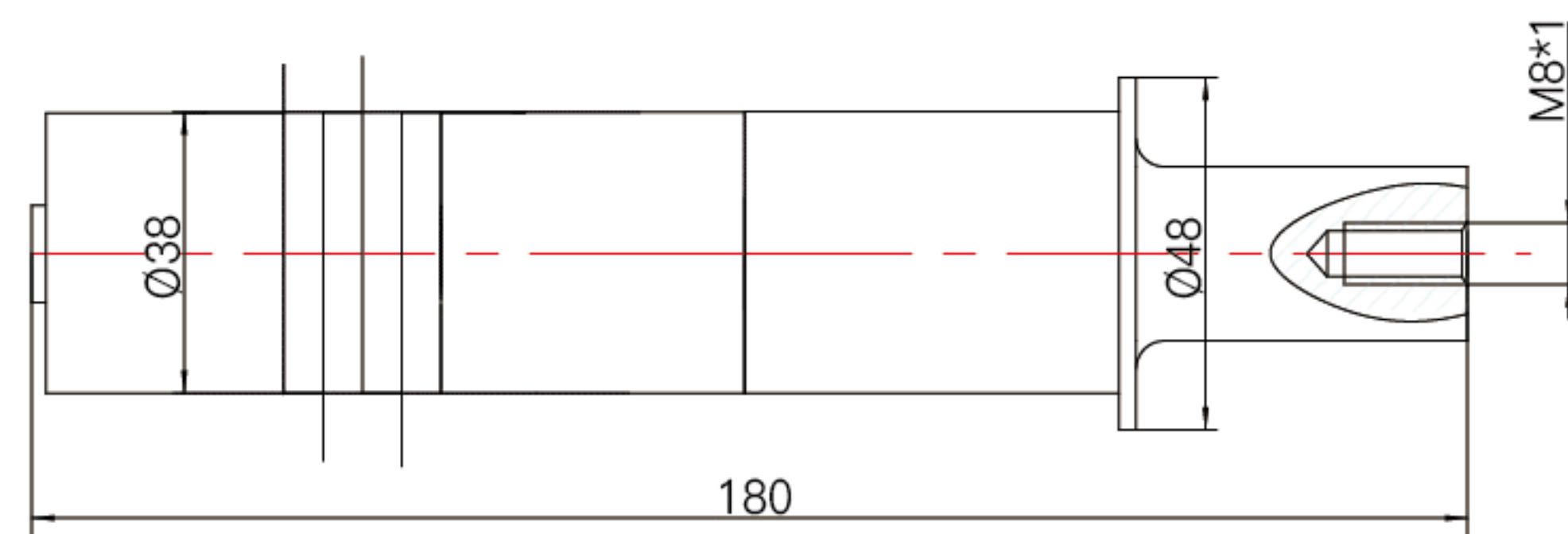
功率 Power	频率范围 Frequency range	电阻范围 Resistance range	晶片颜色及电容范围 (pf) Capacitor range			换能器形状 Transducer shape	变幅杆材料 Material of booster	
(W)	(kHz)	(Ω)	黄片 yellow ceramic	灰片 grey ceramic	黑片 black ceramic	柱型	钢	
400	27.50-28.10	< 80	2800-3300	3300-3800	—	柱型	钢	
订货编码 Order Code :			128-220	128-120			Type column	Steel



### YP-3828-4BZ-BJ



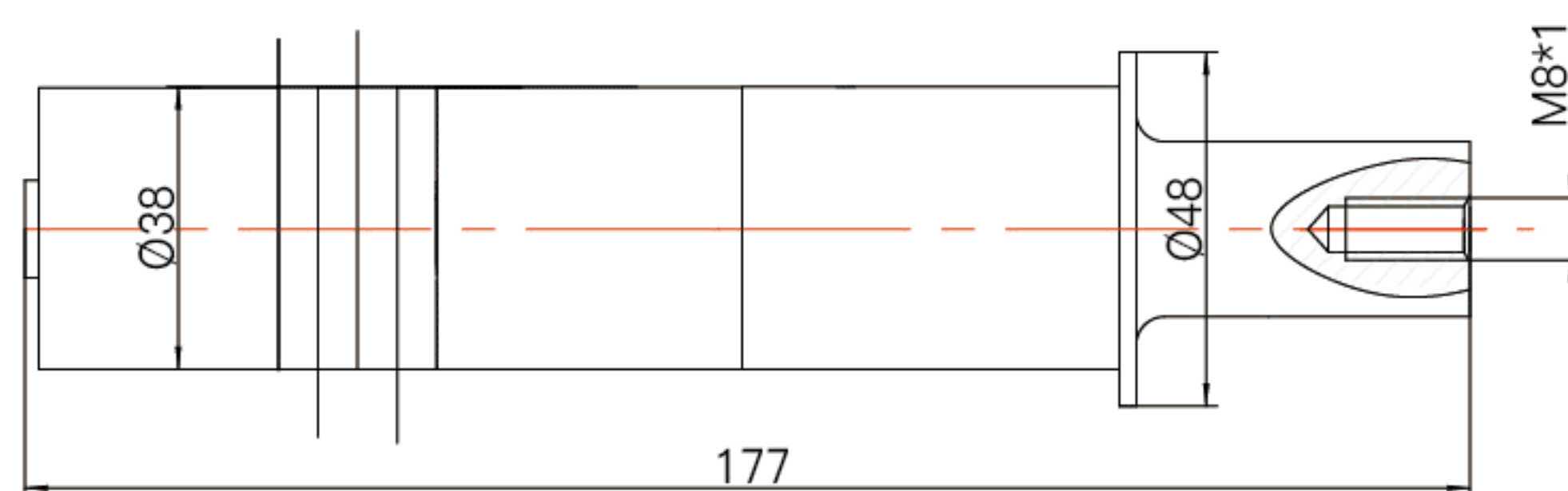
功率 Power	频率范围 Frequency range	电阻范围 Resistance range	晶片颜色及电容范围 (pf) Capacitor range			换能器形状 Transducer shape	变幅杆材料 Material of booster
(W)	(kHz)	(Ω)	黄片 yellow ceramic	灰片 grey ceramic	黑片 black ceramic		
800	27.50-28.10	< 30	7200-8200	—	10000-12000	柱型 Type column	钢 Steel
订货编码 Order Code :			128-221		128-321		



### YP-3828-4BZ-BJL



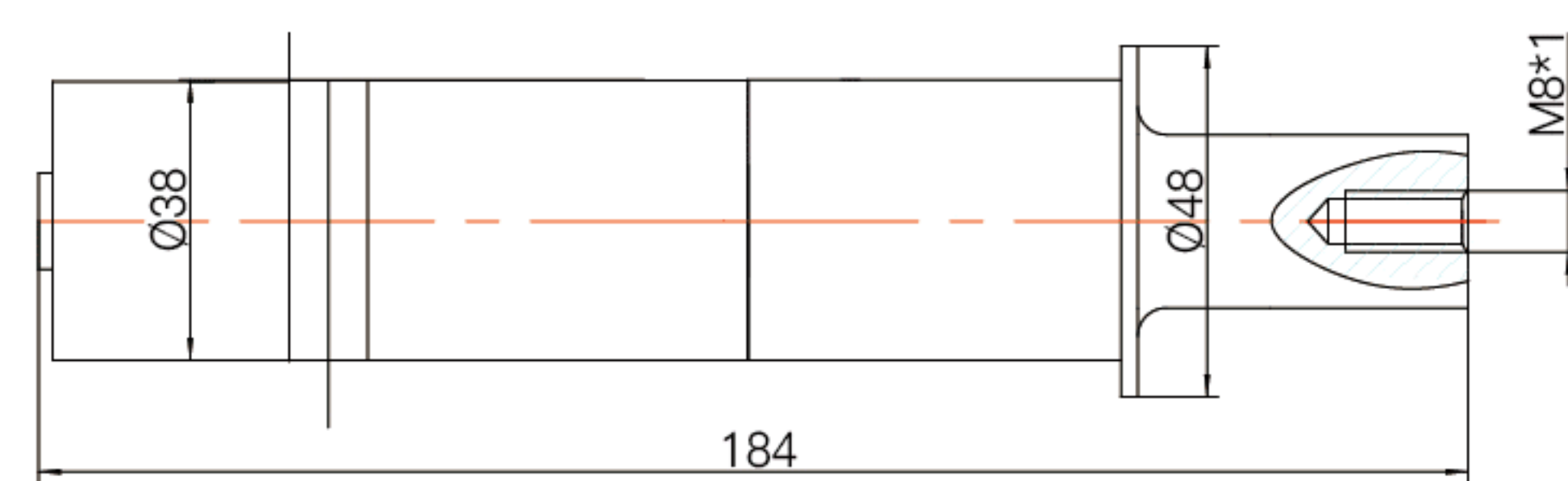
功率 Power	频率范围 Frequency range	电阻范围 Resistance range	晶片颜色及电容范围 (pf) Capacitor range			换能器形状 Transducer shape	变幅杆材料 Material of booster
(W)	(kHz)	(Ω)	黄片 yellow ceramic	灰片 grey ceramic	黑片 black ceramic		
800	27.50-28.10	< 30	7200-8200	—	10000-12000	柱型 Type column	铝 AL
订货编码 Order Code :			128-222		128-322		



### YP-3828-2BZ-BJL



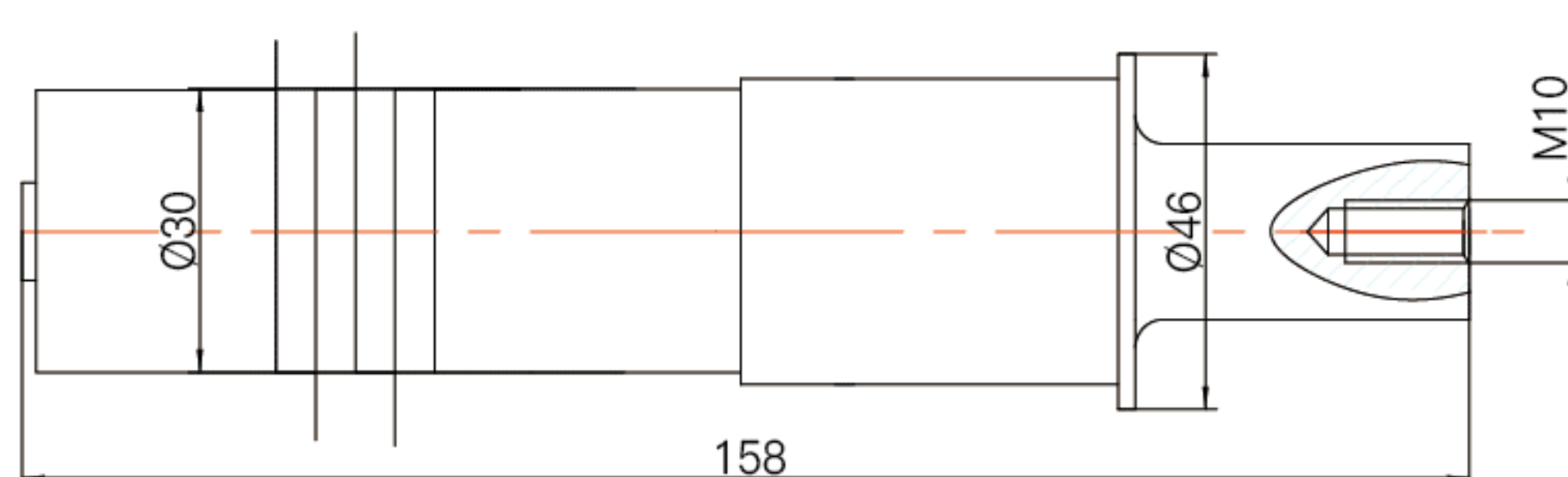
功率 Power	频率范围 Frequency range	电阻范围 Resistance range	晶片颜色及电容范围 (pf) Capacitor range			换能器形状 Transducer shape	变幅杆材料 Material of booster
(W)	(kHz)	(Ω)	黄片 yellow ceramic	灰片 grey ceramic	黑片 black ceramic		
500	27.50-28.10	< 40	3700-4200	—	—	柱型 Type column	铝 AL
订货编码 Order Code :			128-223				



### YP-3030-4BZ-SJL



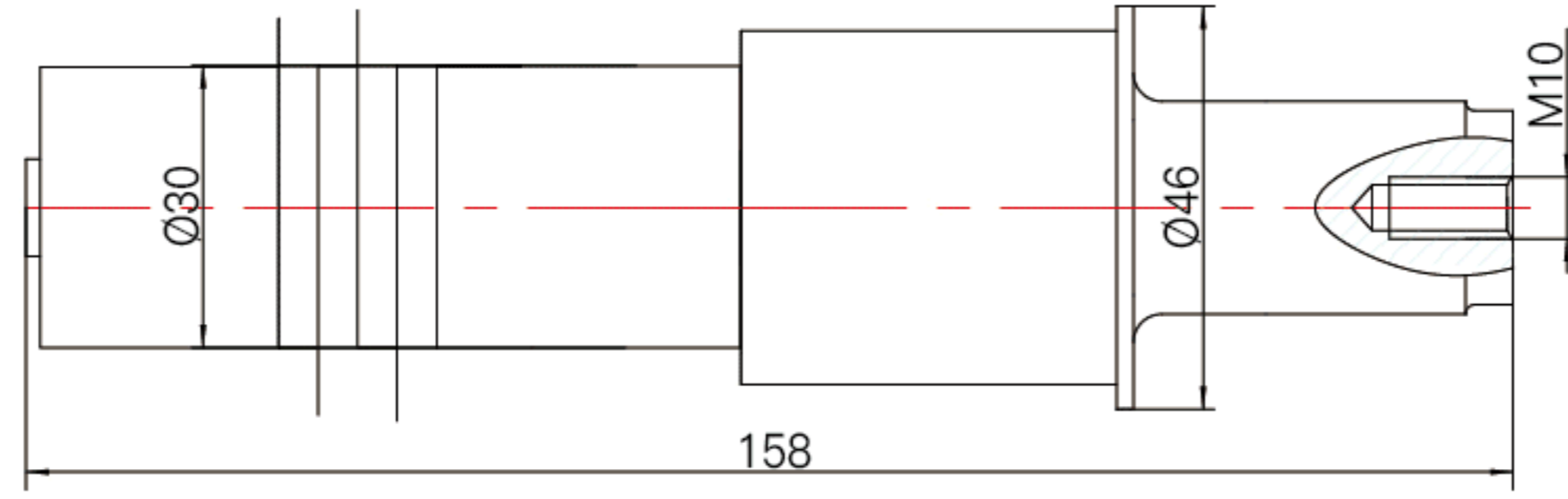
功率 Power	频率范围 Frequency range	电阻范围 Resistance range	晶片颜色及电容范围 (pf) Capacitor range			换能器形状 Transducer shape	变幅杆材料 Material of booster
(W)	(kHz)	(Ω)	黄片 yellow ceramic	灰片 grey ceramic	黑片 black ceramic		
700	29.50-30.10	< 40	—	6200-7200	—	柱型 Type column	铝 AL
订货编码 Order Code :				130-124			





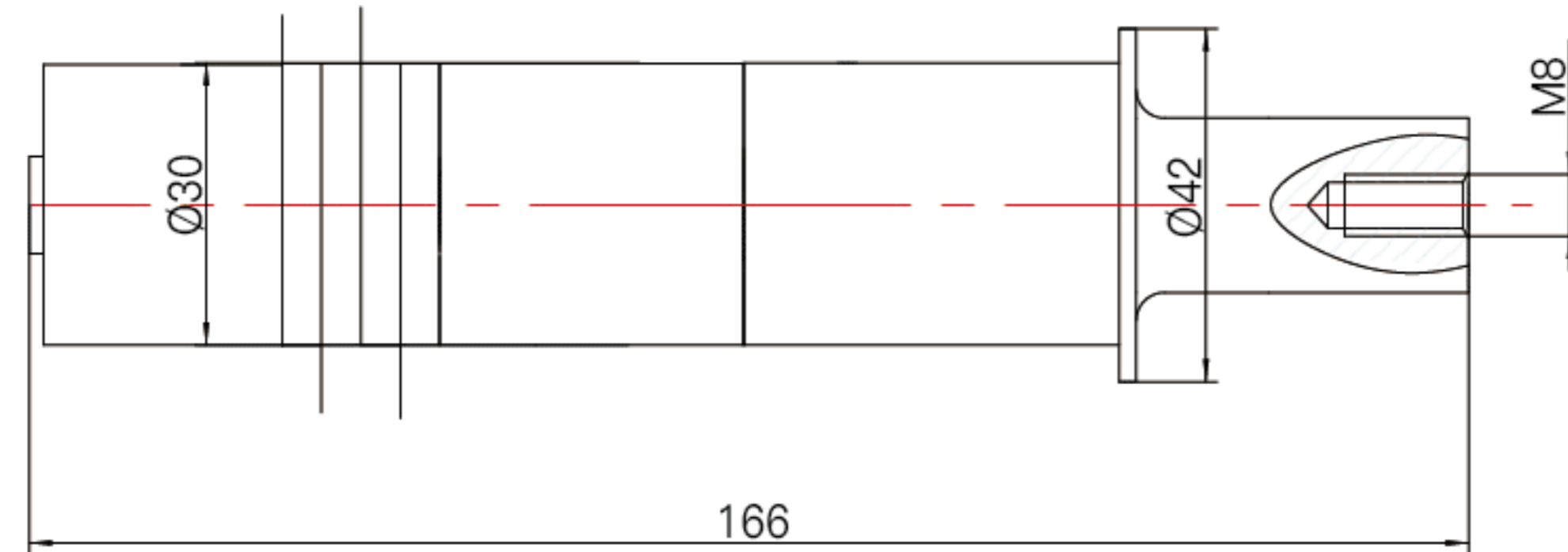
### YP-3030-4BZ-LJL

功率 Power	频率范围 Frequency range	电阻范围 Resistance range	晶片颜色及电容范围 (pf) Capacitor range			换能器形状 Transducer shape	变幅杆材料 Material of booster
(W)	(kHz)	(Ω)	黄片 yellow ceramic	灰片 grey ceramic	黑片 black ceramic		
700	29.50-30.10	< 40	—	6200-7200	—	柱型 Type column	铝 AL
订货编码 Order Code :			130-125				



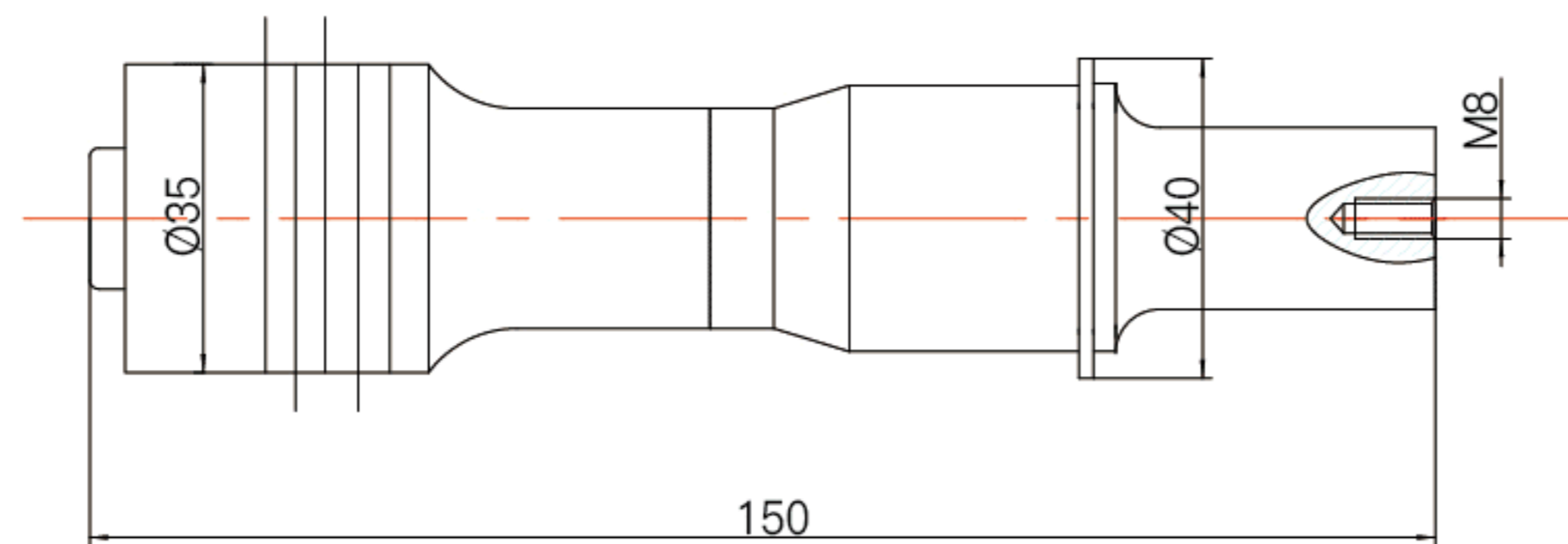
### YP-3030-4BZ-BJ

功率 Power	频率范围 Frequency range	电阻范围 Resistance range	晶片颜色及电容范围 (pf) Capacitor range			换能器形状 Transducer shape	变幅杆材料 Material of booster
(W)	(kHz)	(Ω)	黄片 yellow ceramic	灰片 grey ceramic	黑片 black ceramic		
700	29.50-30.10	< 40	—	6200-7200	—	柱型 Type column	钢 Steel
订货编码 Order Code :			130-126				



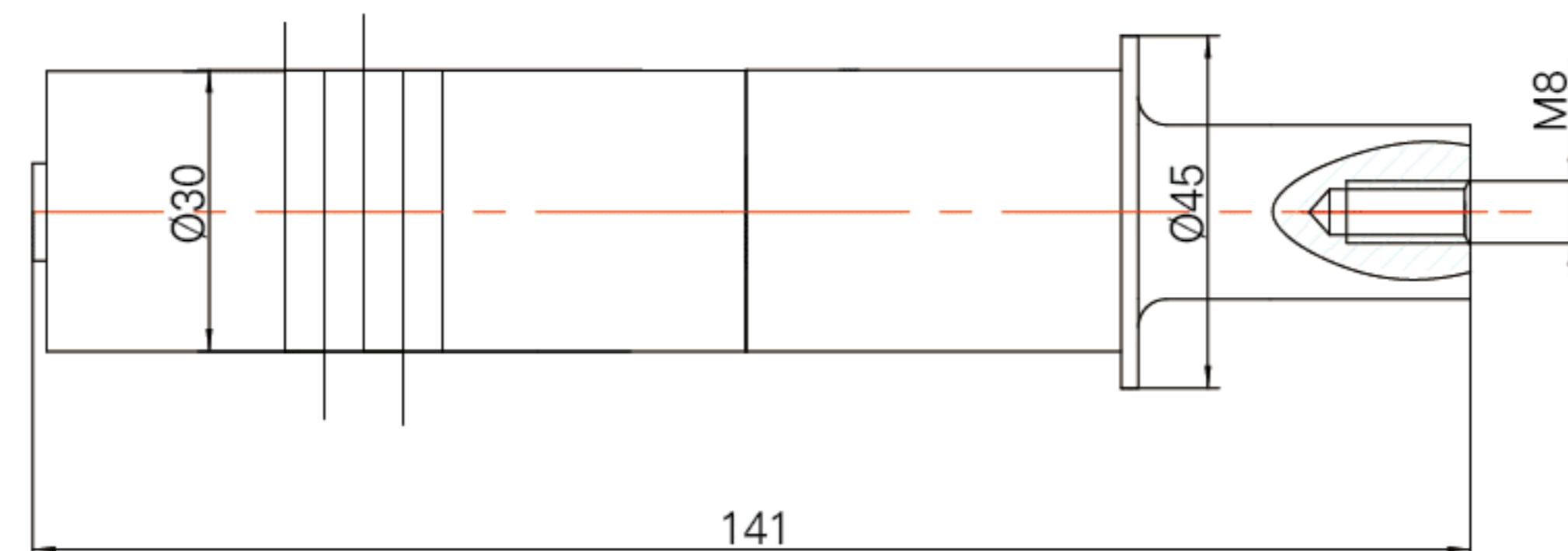
### YP-3535-4BD-II

功率 Power	频率范围 Frequency range	电阻范围 Resistance range	晶片颜色及电容范围 (pf) Capacitor range			换能器形状 Transducer shape	变幅杆材料 Material of booster
(W)	(kHz)	(Ω)	黄片 yellow ceramic	灰片 grey ceramic	黑片 black ceramic		
800	34.50-35.10	< 35	6600-7400	—	9200-10200	倒喇叭型 Inverted horn	钢 Steel
订货编码 Order Code :			135-227			135-327	



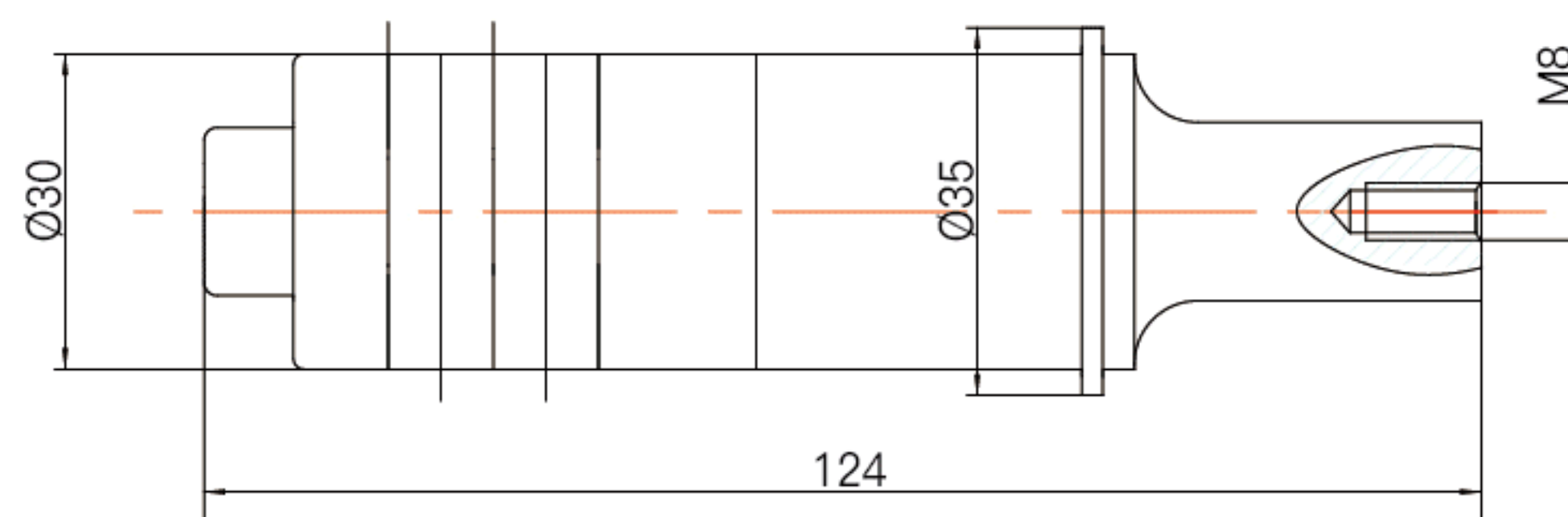
### YP-3035-4BZ-BJL

功率 Power	频率范围 Frequency range	电阻范围 Resistance range	晶片颜色及电容范围 (pf) Capacitor range			换能器形状 Transducer shape	变幅杆材料 Material of booster
(W)	(kHz)	(Ω)	黄片 yellow ceramic	灰片 grey ceramic	黑片 black ceramic		
700	34.50-35.10	< 40	5500-6200	—	—	柱型 Type column	铝 AL
订货编码 Order Code :			135-228				

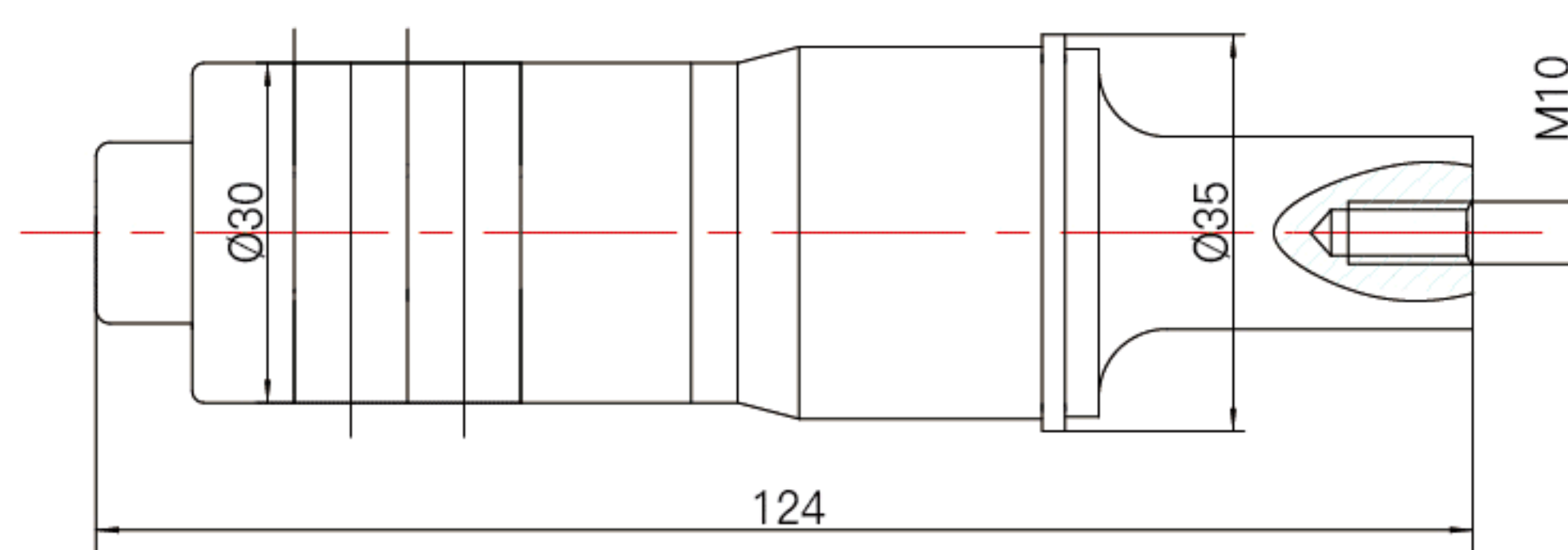


**YP-3040-4BZ-BJ**

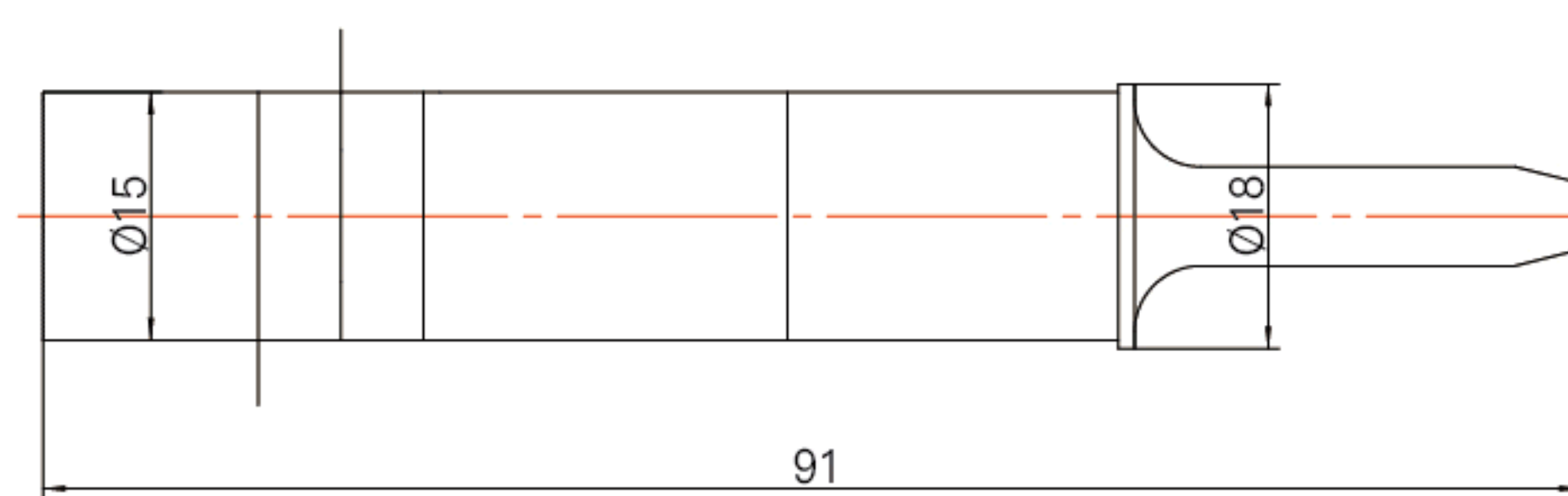

功率 Power	频率范围 Frequency range	电阻范围 Resistance range	晶片颜色及电容范围 (pf) Capacitor range			换能器形状 Transducer shape	变幅杆材料 Material of booster
(W)	(kHz)	(Ω)	黄片 yellow ceramic	灰片 grey ceramic	黑片 black ceramic		
500	39.50-40.10	< 30	5100-5800	—	6500-7500	柱型 Type column	钢 Steel
订货编码 Order Code :			140-229		140-329		


**YP-3040-4BZ-II**


功率 Power	频率范围 Frequency range	电阻范围 Resistance range	晶片颜色及电容范围 (pf) Capacitor range			换能器形状 Transducer shape	变幅杆材料 Material of booster
(W)	(kHz)	(Ω)	黄片 yellow ceramic	灰片 grey ceramic	黑片 black ceramic		
500	39.50-40.10	< 30	5100-5800	—	6500-7500	柱型 Type column	钢 Steel
订货编码 Order Code :			140-230		140-330		


**YP-1560-2BZ-BJ**


功率 Power	频率范围 Frequency range	电阻范围 Resistance range	晶片颜色及电容范围 (pf) Capacitor range			换能器形状 Transducer shape	变幅杆材料 Material of booster
(W)	(kHz)	(Ω)	黄片 yellow ceramic	灰片 grey ceramic	黑片 black ceramic		
150	58.50-60.00	< 150	—	—	700-850	柱型 Type column	钢 Steel
订货编码 Order Code :					160-331		


**YP-1070-2BZ-BJ**


功率 Power	频率范围 Frequency range	电阻范围 Resistance range	晶片颜色及电容范围 (pf) Capacitor range			换能器形状 Transducer shape	变幅杆材料 Material of booster
(W)	(kHz)	(Ω)	黄片 yellow ceramic	灰片 grey ceramic	黑片 black ceramic		
100	69.00-70.50	< 500	700-800	—	—	柱型 Type column	钛 Titanium
订货编码 Order Code :			170-232				

